

Location: _____



RG2016DG



POLYETHYLENE REPLACEMENT SCUPPER DRAIN

Specification: MIFAB® - RoofGuard Model RG2016DG polyethylene (with UV inhibitor) replacement scupper drain with an extra large, horizontal slotted, free area drainage design. The RoofGuard has a 10 year limited warranty.

WHY RoofGuard?

MAKE ROOF DRAINS UNCLOGGABLE

RoofGuard ELIMINATES STANDING WATER:

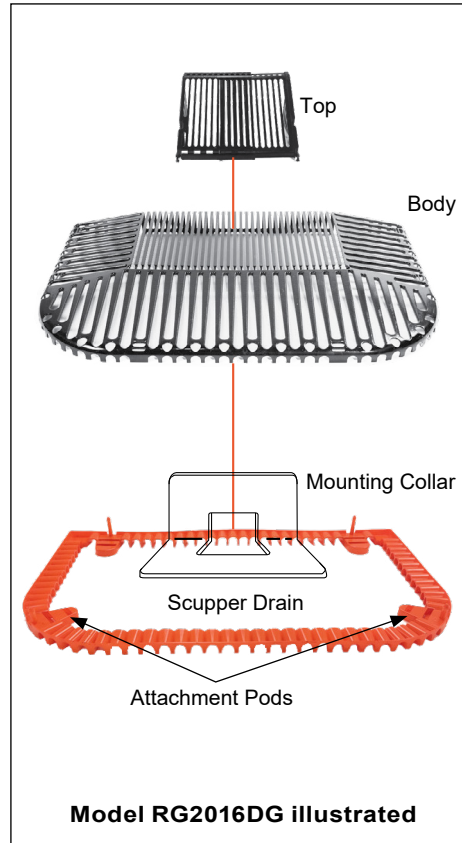
- Patented design increases surface area by up to 5x or more making a RoofGuard protected drain virtually uncloggable. RoofGuard SAVES \$\$
- RoofGuard works 24/7.
- Eliminates leaks and costly repairs caused by clogged drains.
- RoofGuard will replace any scupper drain.
- Installation is fast, simple, and requires no tools.
- Removable Top allows easy access to drain and piping without detaching RoofGuard.



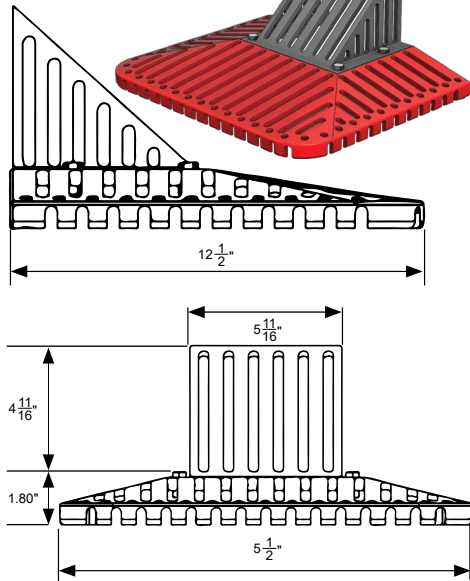
8 piece multi pack box for the plastic RoofGuard scupper drains

INSTALLATION:

1. Remove packaging and take adjustable top off of the RoofGuard housing.
2. Remove any screening around scupper opening.
3. Clean and dry roofing membrane.
4. Overfill the 4 attachment pods on the bottom of RoofGuard with an exterior water proof adhesive (M-1 or similar). Make sure the pods are full and overflowing with the adhesive to ensure proper bonding to roofing membrane.
5. Turn RoofGuard over and install with the scupper opening centered on the flat platform on RoofGuard. Install as close as possible to the scupper opening.
6. Size the RoofGuard top to scupper opening and then install on RoofGuard platform. The top can be adjusted to slide inside of scupper opening or go over opening.
7. Slide adjustable top into desired position so that the top protects scupper opening.

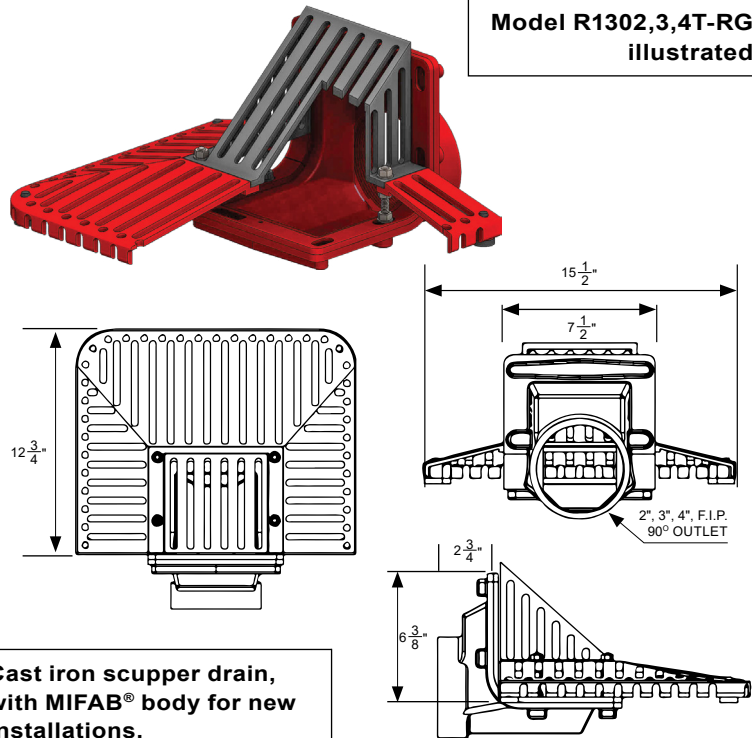


Model RG2016DGC illustrated



Cast iron scupper drain, less MIFAB® body for retrofit applications.

Model R1302,3,4T-RG illustrated



Cast iron scupper drain, with MIFAB® body for new installations.

Job Name: _____ Page No: _____
 Section No: _____ Contractor: _____
 Schedule No: _____ Purchase Order No: _____