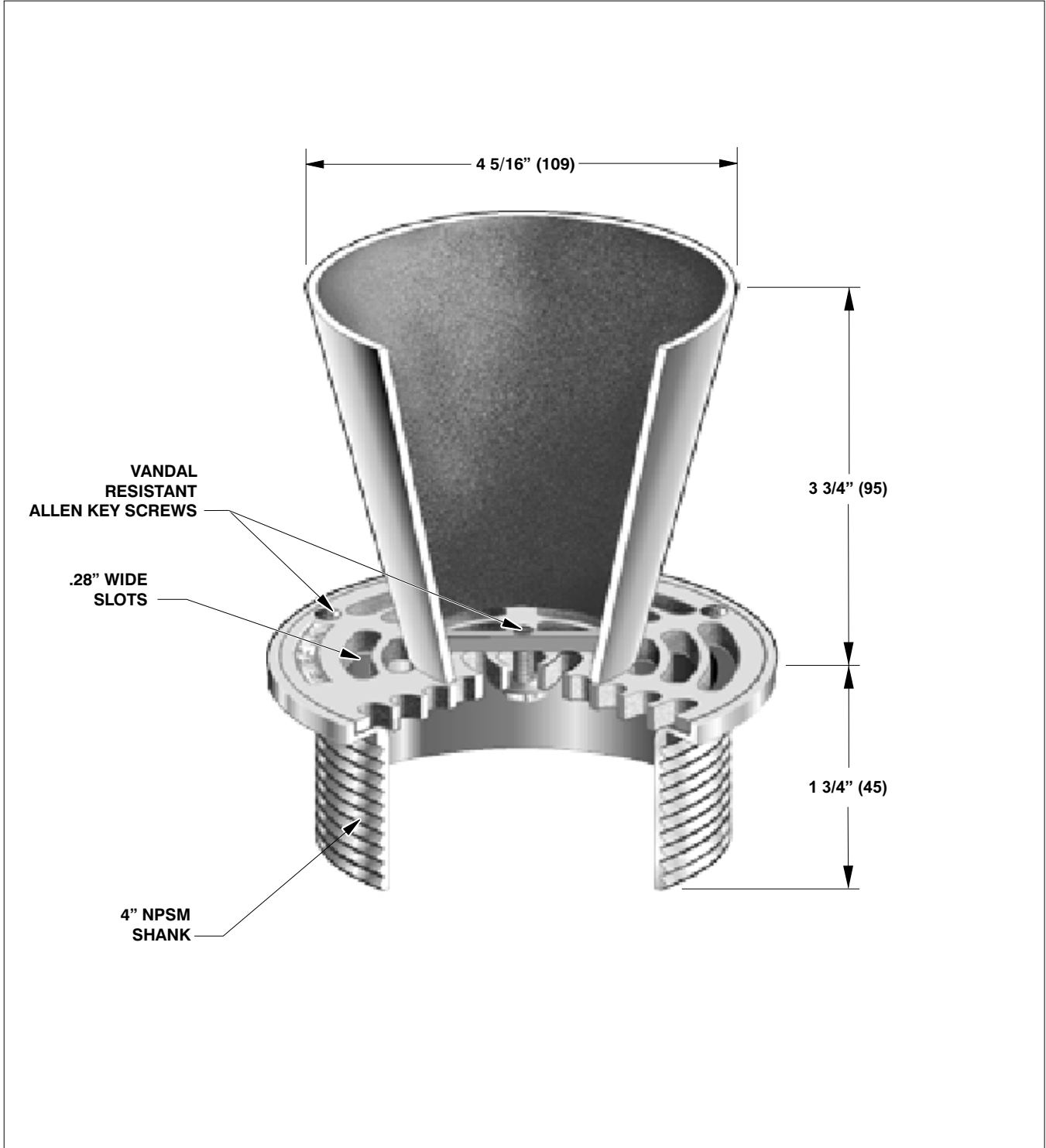


Specification: MIFAB® Series EF4-(*) (* indicates strainer material), 5" reinforced round strainer, with a free area of 8 IN² combined with a 4" round funnel. Available in nickel bronze (Suffix -1), stainless steel (Suffix -3) or cast iron funnel (Suffix -50).

**OPTIONAL VARIATIONS: SUFFIX**

- | | |
|--|-----|
| <input type="checkbox"/> Nickel bronze | -1 |
| <input type="checkbox"/> Stainless steel | -3 |
| <input type="checkbox"/> Security screws (TR25 Torx & pin) | -6 |
| <input type="checkbox"/> Cast iron | -50 |

Job Name: _____

Page No: _____

Section No: _____

Contractor: _____

Schedule No: _____

Purchase Order No: _____