

Location: _____

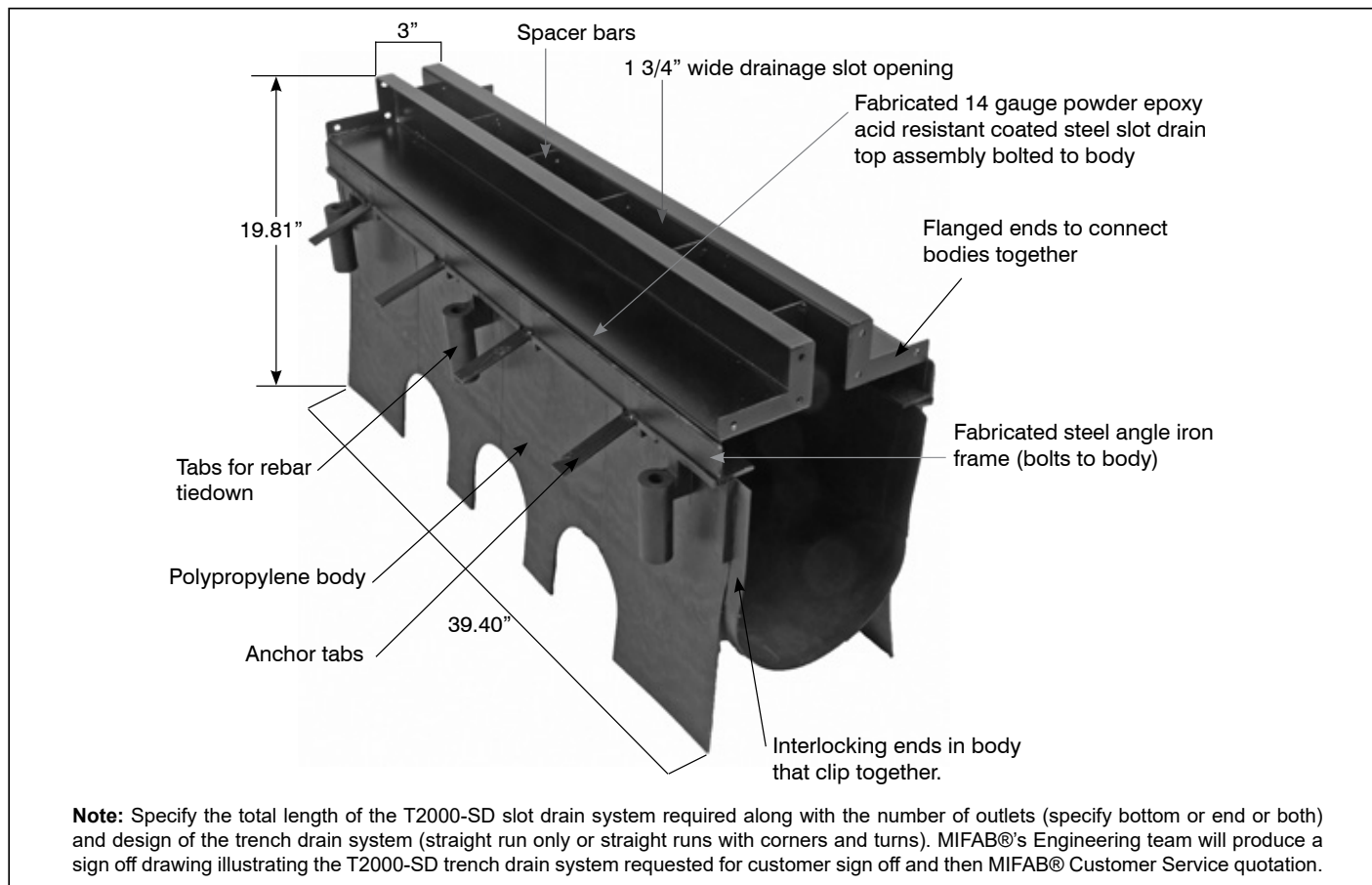


T2000-SD

**14 1/4" DEEP, 12" WIDE, POLYPROPYLENE BODY
SLOT DRAIN WITH 1 3/4" SLOT OPENINGS**

Specification: MIFAB® Series T2000-SD, 39.40" long, 14 1/4" deep, 9.70" internal body width, neutral sloped slot drain system. Body is manufactured from polypropylene. Each body has six tabs for #5 rebar tie down and leveling. Bodies have interlocking ends, a radiused bottom for efficient liquid drainage and have staggered, semi-circular cutouts on each side at the bottom to enable concrete flow underneath the body. Complete with a 1 3/4" wide slot opening top assembly that has spacer bars at 5" intervals to keep the sides of the slot apart. The slot opening top assembly is manufactured from 14 gauge steel and finished with an acid resistant powder epoxy coating. Specify -3 for a fabricated Type 304 stainless steel slot opening top assembly. Specify -HD for a fabricated heavy duty steel slot opening top assembly for dynamic loads. End and bottom outlets are available in 4" and 6" no hub outlet connections. Catch basins are also available.

Function: Used in parking lots, factories, highways, airports, ports, wineries and any other facilities that require surface drainage with a narrow drainage opening for aesthetic appeal. The lightweight and chemical resistant polypropylene body provides for long life. Water resistant sealant recommended between sections for indoor installations. An infinite number of body sections can be assembled together to serve any requirement. 45 and 90 degree body sections are available.



| End caps / Outlets / Accessories | |
|----------------------------------|--|
| Suffix | Description |
| -BA | Buy American Act compliant product |
| -PA | Pennsylvania Steel Act compliant product |
| -PEC | Closed end cap |
| -PEO | Combination 4" or 6" no hub end outlet |
| -PBO | Combination 4" or 6" no hub bottom outlet |
| -7MG | MI-GARD trap seal protection device (available for 1-1/2", 2", 3", 3-1/2", 4" and 6" outlet connections) |
| Frame Options | |
| -3 | Type 304 Stainless Steel Frame with 1 3/4" wide slot |
| -13 | Galvanized Steel Frame with 1 3/4" wide slot |
| -HD | Heavy duty steel 1 3/4" wide slot opening top assembly for dynamic loads. |

CALIFORNIA PROPOSITION 65 WARNING. This product contains chemicals known to the State of California to cause cancer and birth defects or other reproductive harm.

Job Name: _____ Page No: _____
 Section No: _____ Contractor: _____
 Schedule No: _____ Purchase Order No: _____