

Location: _____

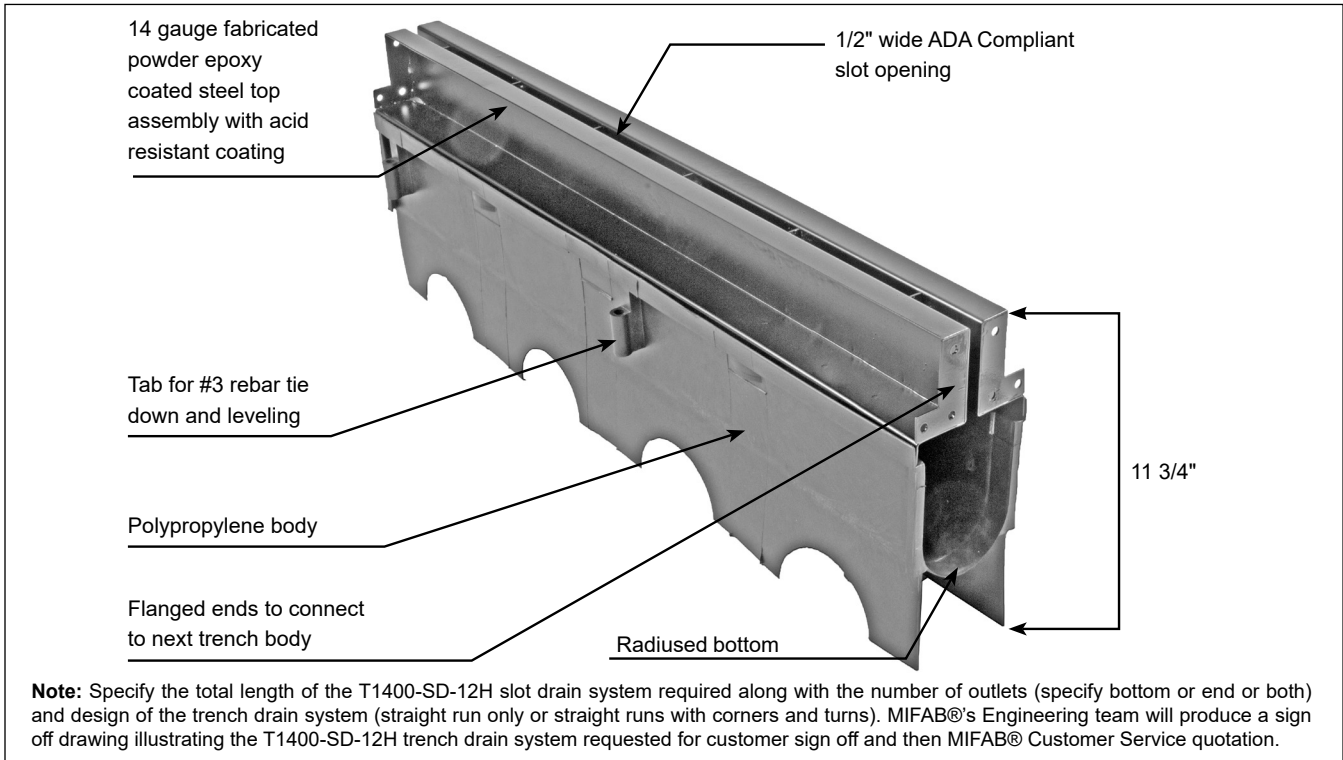


T1400-SD-12H

T1400-SD-12H - 11 3/4" DEEP POLYPROPYLENE BODY
SLOT DRAIN WITH 1/2" ADA COMPLIANT SLOT OPENINGS

Specification: MIFAB® Series T1400-SD-12H, 39.40" long, 11 3/4" deep, 4" internal body width, neutral sloped slot drain system. Body is manufactured from polypropylene. Each body has four tabs, 20" apart, for #3 rebar tie down and leveling. Bodies have interlocking ends, a radiused bottom for efficient liquid drainage and have staggered, semi-circular cutouts on each side at the bottom to enable concrete flow underneath the body. Complete with 1/2" wide (ADA compliant) slot opening top assembly for surface drainage. The slot opening top assembly is manufactured from 14 gauge steel and finished with an acid resistant powder epoxy coating. Specify -.250 for 1/4" wide slot opening. Specify -3 for a fabricated Type 304 stainless steel slot opening top assembly. End and bottom outlets are available in 3" and 4" no hub outlet connections. Catch basins are also available.

Function: Used in parking lots, factories, highways, airports, ports, wineries and any other facilities that require surface drainage with a narrow drainage opening for aesthetic appeal. The lightweight and chemical resistant polypropylene body provides for long life. Water resistant sealant recommended between sections for indoor installations. An infinite number of body sections can be assembled together to serve any requirement. 45 and 90 degree body sections are available.



End caps / Outlets / Accessories

Suffix	Description
-7MG	MI-GARD trap seal protection device (available for 1-1/2", 2", 3", 3-1/2", 4" and 6" outlet connections)
-BA	Buy American Act compliant product
-PA	Pennsylvania Steel Act compliant product
-PEC	Closed end cap
-PEO	Combination 3" or 4" no hub end outlet
-PBO	Combination 3" or 4" no hub bottom outlet

Accessories and 45 and 90 Degree Fabrications

Suffix	Description
-250	1/4" wide heel proof slots in top assembly
-750	3/4" wide heel proof slots in top assembly

Frame Options

Suffix	Description
-3	Type 304 Stainless Steel Frame with 1/2" wide slot
-EXT4	4" High extension to the top slot assembly

CALIFORNIA PROPOSITION 65 WARNING. This product contains chemicals known to the State of California to cause cancer and birth defects or other reproductive harm.

Job Name: _____ Page No: _____
 Section No: _____ Contractor: _____
 Schedule No: _____ Purchase Order No: _____