

Location: \_\_\_\_\_



# T1500-PB-3 with Stainless Steel Integral Rail

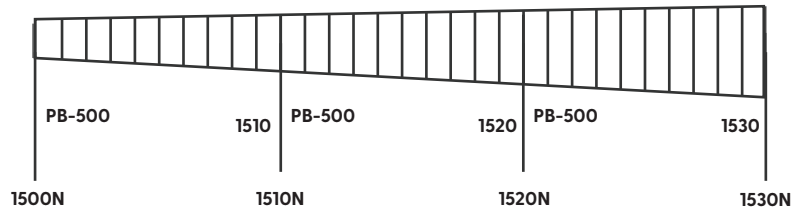
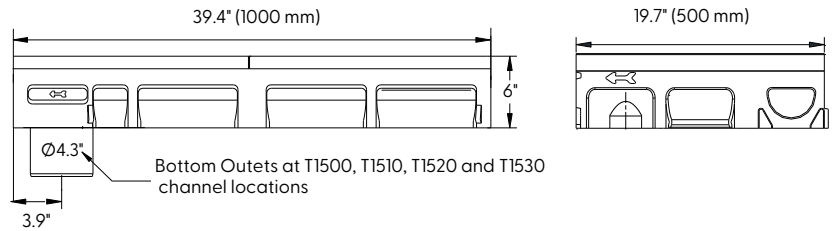
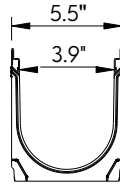


## Specification:

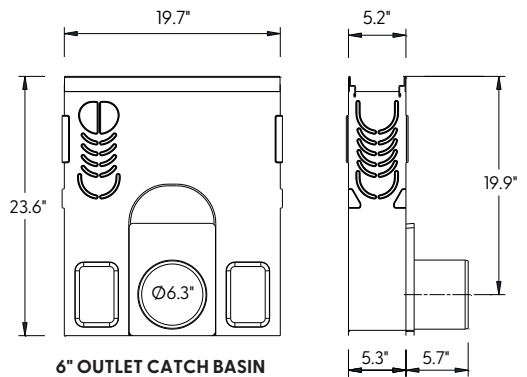
MIFAB®'s T1500-PB-3 series channels shall be 39.4" (1000 mm) long with a 4" (100 mm) internal width. Interconnecting channels sections are made from high strength Polymer Concrete and available in sloping and non-sloping (neutral) channels. Each channel comes with a standard stainless steel edge rail which is mechanically embedded in the channel.

Installation devices, plastic end cap/outlet cap, and catch basins are available accessories. System comes complete with 4" preformed bottom outlets at neutral locations. Grates (separate Specification Sheets) are available in in Load Class A-E in a variety of materials. Grates utilize the patented "Clipfix" locking mechanism.

CHANNEL MODEL NUMBER	WEIGHT (LBS.)
T1500N-PB-3	31.97
T1500N-PB-3-BO4	31.97
T1500N-PB-13-500	16.95
T1501-PB-3	31.97
T1502-PB-3	31.97
T1503-PB-3	33.07
T1504-PB-3	33.36
T1505-PB-3	34.17
T1506-PB-13	35.27
T1507-PB-3	36.38
T1508-PB-3	36.38
T1509-PB-3	37.48
T1510-PB-3	37.96
T1510-PB-3-BO4	37.48
T1510N-PB-3	37.99
T1510N-PB-3-BO4	38.58
T1510N-PB-3-500	19.84
T1511-PB-3	39.03
T1512-PB-3	39.65
T1513-PB-3	40.26
T1514-PB-3	40.88
T1515-PB-3	41.50
T1516-PB-3	42.11
T1517-PB-3	42.73
T1518-PB-3	43.35
T1519-PB-3	43.97
T1520-PB-3	44.58
T1520-PB-3-BO4	44.58
T1520N-PB-3	45.19
T1520N-PB-3-BO4	45.19
T1520N-PB-3-500	22.93
T1521-PB-3	47.95
T1522-PB-13	48.57
T1523-PB-3	49.19
T1524-PB-3	49.80
T1525-PB-3	50.42
T1526-PB-3	51.04
T1527-PB-3	51.65
T1528-PB-3	52.27
T1529-PB-3	52.89
T1530-PB-3	53.51
T1530-PB-3-BO4	53.51



**T1500-CB620-3**  
Stainless Steel Edge



### CLIPFIX ADVANTAGE

The MEA polymer concrete channels have been designed for our universal CLIPFIX grate locking mechanism. The system (channel and grate) provides longitudinal shift protection.

Job Name: _____	Page No: _____
Section No: _____	Contractor: _____
Schedule No: _____	Purchase Order No: _____

Revision Date: 11/10/2021

CALIFORNIA PROPOSITION 65 WARNING. This product contains chemicals known to the State of California to cause cancer and birth defects or other reproductive harm.