

Location: _____



T1500-PB-13 with Galvanized Steel Integral Rail

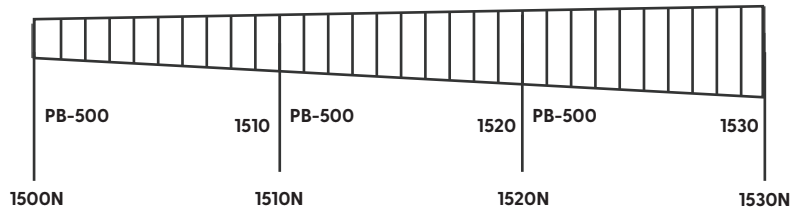
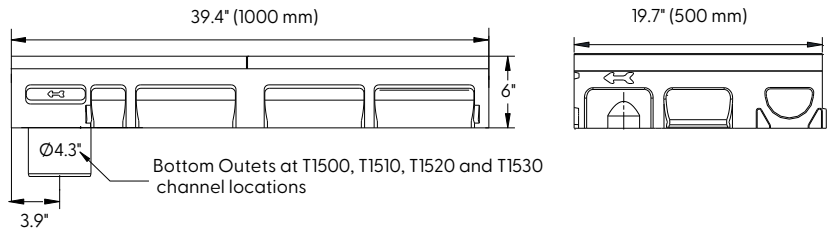
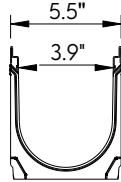


Specification:

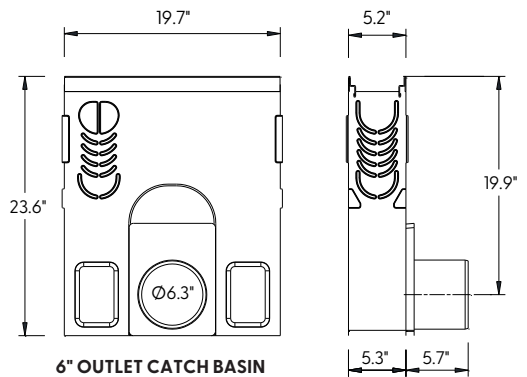
MIFAB®'s T1500-PB-13 series channels shall be 39.4" (1000 mm) long with a 4" (100 mm) internal width. Interconnecting channels sections are made from high strength Polymer Concrete and available in sloping and non-sloping (neutral) channels. Each channel comes with a standard galvanized steel edge rail which is mechanically embedded in the channel.

Installation devices, plastic end cap/outlet cap, and catch basins are available accessories. System comes complete with 4" preformed bottom outlets at neutral locations. Grates (separate Specification Sheets) are available in in Load Class A-E in a variety of materials. Grates utilize the patented "Clipfix" locking mechanism.

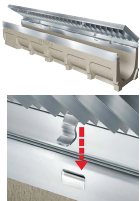
CHANNEL MODEL NUMBER	WEIGHT (LBS.)
T1500N-PB-13	31.97
T1500N-PB-13-BO4	31.97
T1500N-PB-13-500	16.95
T1501-PB-13	31.97
T1502-PB-13	31.97
T1503-PB-13	33.07
T1504-PB-13	33.36
T1505-PB-13	34.17
T1506-PB-13	35.27
T1507-PB-13	36.38
T1508-PB-13	36.38
T1509-PB-13	37.48
T1510-PB-13	37.96
T1510-PB-13-BO4	37.48
T1510N-PB-13	37.99
T1510N-PB-13-BO4	38.58
T1510N-PB-13-500	19.84
T1511-PB-13	39.03
T1512-PB-13	39.65
T1513-PB-13	40.26
T1514-PB-13	40.88
T1515-PB-13	41.50
T1516-PB-13	42.11
T1517-PB-13	42.73
T1518-PB-13	43.35
T1519-PB-13	43.97
T1520-PB-13	44.58
T1520-PB-13-BO4	44.58
T1520N-PB-13	45.19
T1520N-PB-13-BO4	45.19
T1520N-PB-13-500	22.93
T1521-PB-13	47.95
T1522-PB-13	48.57
T1523-PB-13	49.19
T1524-PB-13	49.80
T1525-PB-13	50.42
T1526-PB-13	51.04
T1527-PB-13	51.65
T1528-PB-13	52.27
T1529-PB-13	52.89
T1530-PB-13	53.51
T1530-PB-13-BO4	53.51



T1500-CB620-13 Galvanized Edge



6" OUTLET CATCH BASIN (4" OUTLET ALSO AVAILABLE) Sediment bucket included



CLIPFIX ADVANTAGE

The MEA polymer concrete channels have been designed for our universal CLIPFIX grate locking mechanism. The system (channel and grate) provides longitudinal shift protection.

Job Name: _____	Page No: _____
Section No: _____	Contractor: _____
Schedule No: _____	Purchase Order No: _____

Revision Date: 11/10/2021

CALIFORNIA PROPOSITION 65 WARNING. This product contains chemicals known to the State of California to cause cancer and birth defects or other reproductive harm.

MIFAB reserves the right to make changes in material and design without formal notice and obligation. USA: 1-800-465-2736 www.mifab.com CAN: 1-800-387-3880