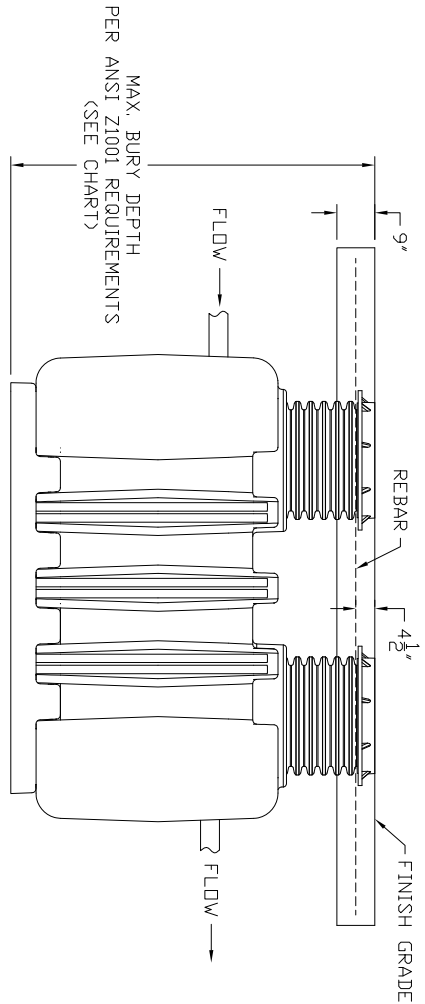


CONCRETE SLAB DETAIL FOR H20/HS20 LOAD RATING



Tank Capacity (gal)	Grease	Oil	MAX. BURY DEPTH (FT)
500	SM-MI-G-PL-500	SM-MI-O-PL-500	17
750	SM-MI-G-PL-750	SM-MI-O-PL-750	16
1000	SM-MI-G-PL-1000	SM-MI-O-PL-1000	16
1300	SM-MI-G-PL-1300	SM-MI-O-PL-1300	16
1500	SM-MI-G-PL-1500	SM-MI-O-PL-1500	13

REVISIONS				
ZONE	REV	DESCRIPTION	DATE	APPROVED
ALL	0	RELEASE		JG

- SUPERMAX INTERCEPTORS**
- Inlet and Outlet No-Hub Connections.
 - H20 Load Rated Access Covers
 - Maximum Operating Temperature: 190° Continuous

- DETAILS**
- Certified by CSA and IAPMO to ASME A112.14.3 and ANSI Z1001
 - Factory installed internal piping.
 - 3/8" thick seamless high density polyethylene.
 - Full internal access through lids.
 - Vent not required for proper operation.
 - Designed for above or below ground installations.
 - Integral Anti-siphon Air Relief port.

- SUFFIX**
- AK High water anchor kit
 - C Lid extension(specify)
 - DP Dosing pump
 - EP Enzyme port
 - F6 6" No Hub inlet/outlet connection
 - HLA High level alarm

INSTRUCTIONS FOR BELOW GRADE INSTALLATION

EXCAVATION

- Install the interceptor(s) as close as practical to the fixtures being served.
- The excavation must be a minimum of 18" greater on all sides of the tank.
- The depth of the excavation must be greater than 12" on the bottom of the interceptor.
- Fill the interceptor with water prior to backfilling in order to prevent the interceptor from floating.
- Fully install the double wall corrugated pipe and lid prior to backfilling.
- Concrete or finishing material requirements is to be determined by the specifying engineer.
- Encase the interceptor in well-packed 3/4" rock, or sand. Do not compact backfill around interceptor.
- To prevent float out; the Anchor kit is recommended for installations in high water table conditions. This is to be determined by the specifying engineer.

NOTES:

- Concrete to be 28 day compressive strength to 4000psi.
- No. 4 rebar (1/2"Ø) grade 60 steel per ASTM A615 connected with wire
- Rebar to be 4" from face of concrete.
- Rebar spacing 12" grid, 4" spacing around access openings.
- All penetrations to be sleeved or have slip connections.
- Minimum 18" from top of slab to top of tank.

MIFAB

SUPERMAX INTERCEPTOR EXCAVATION DETAILS

TOLEANCES (UNLESS OTHERWISE SPECIFIED)
 X ± .03
 XX ± .015
 XXX ± .010
 L ± .1
 TYP. DWG'T ANGLE = Z

DRAWN BY	JG	SIZE	C	COLOR/FINISH	DMG NO.	REV	0
APPROVED BY	JG	SCALE	---	MAT'L	SM-MI-G-PL-EXCAVATE	SHEET	1 OF 1