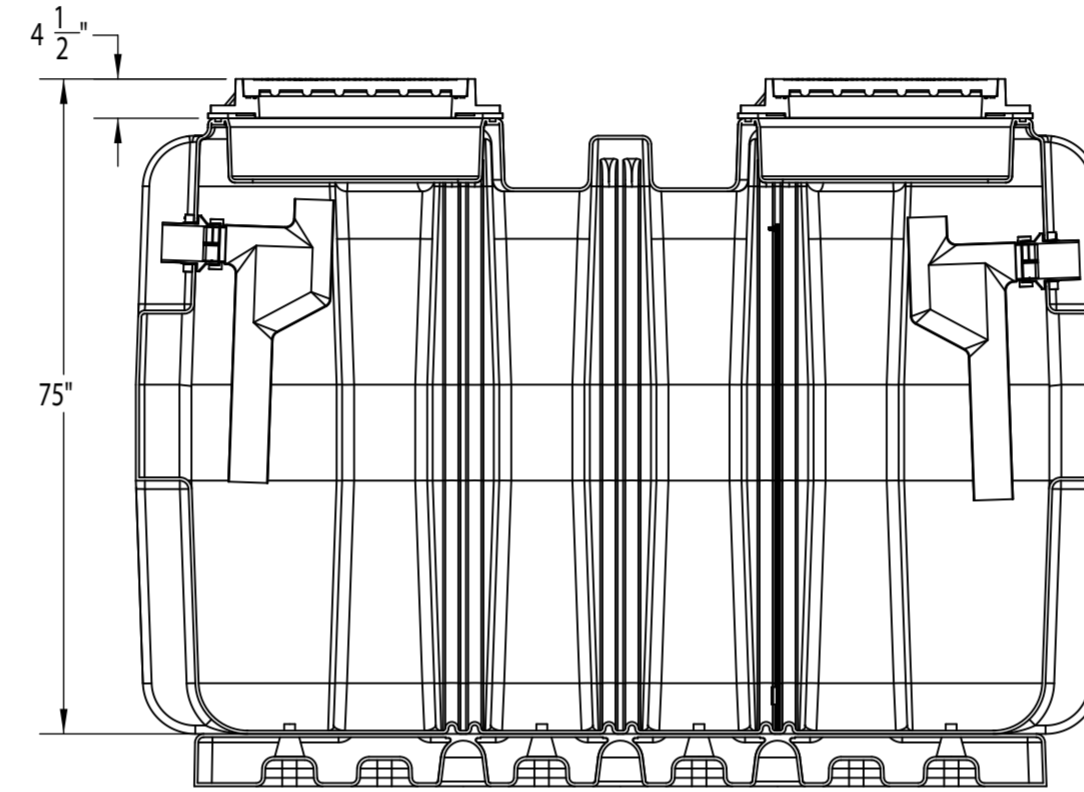
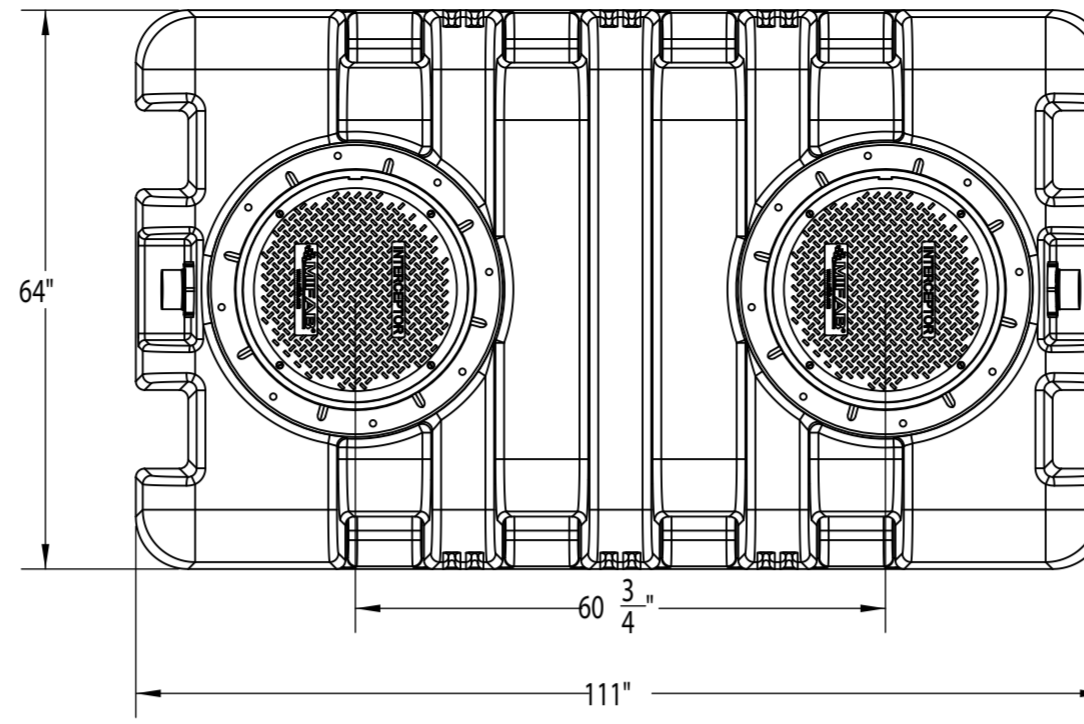
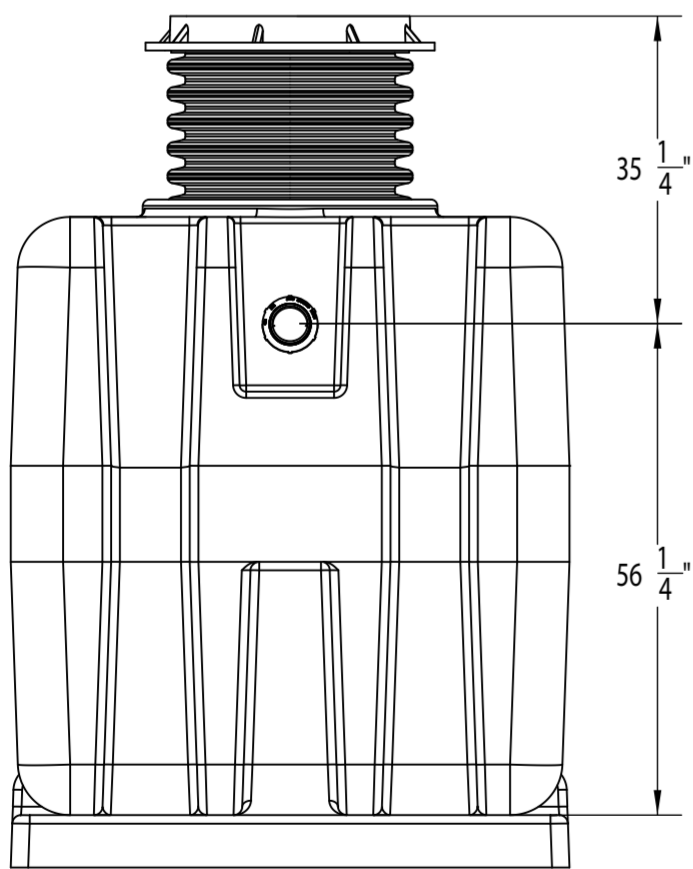
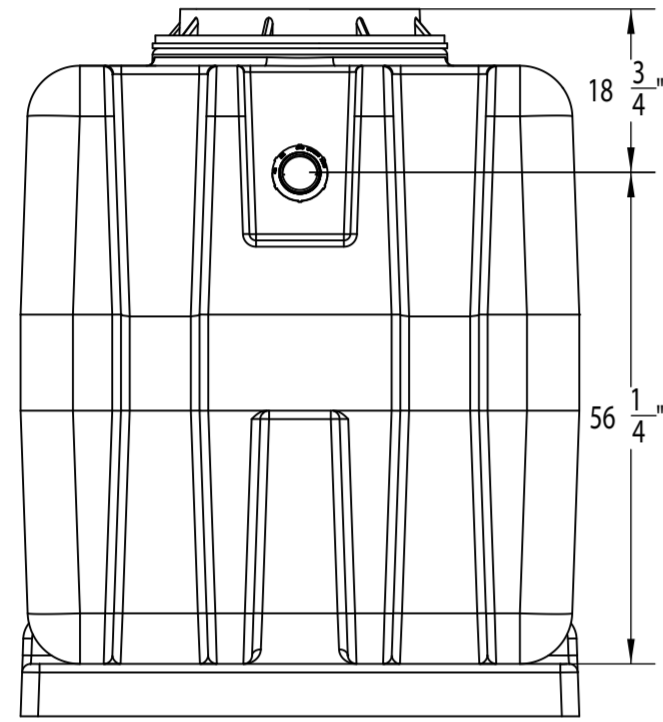


- SUPER-1300**
1. Inlet and Outlet No-Hub Connections.
 2. Liquid Holding Capacity: 1300 Gallons
 3. H2O Load Rated Access Covers
 4. Maximum Operating Temperature: 190Å Continuous

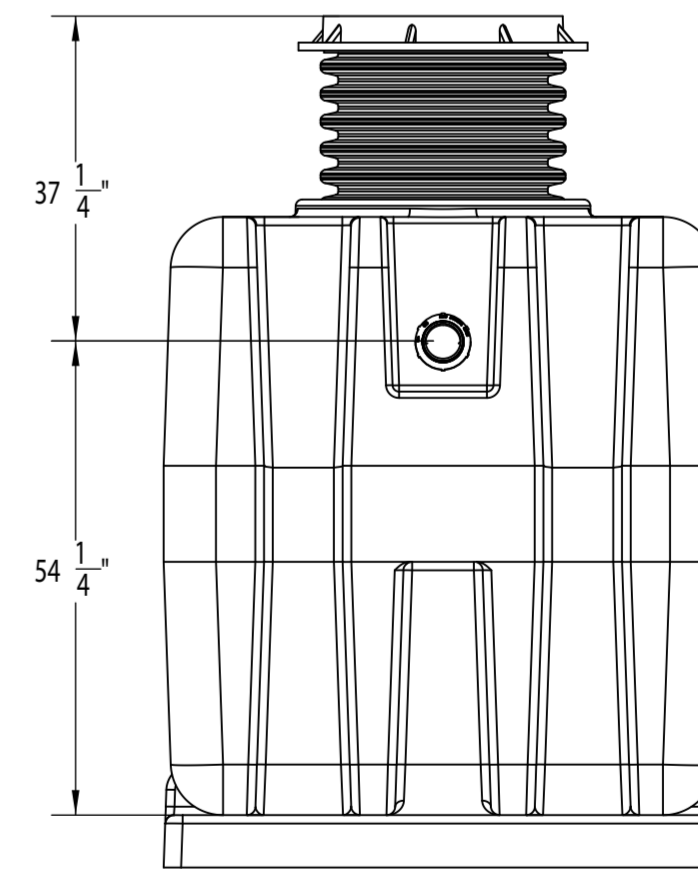
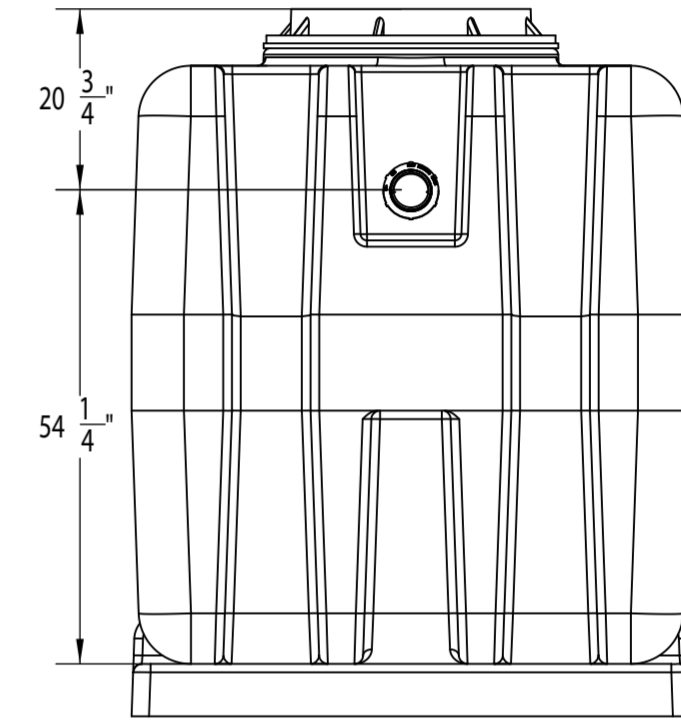
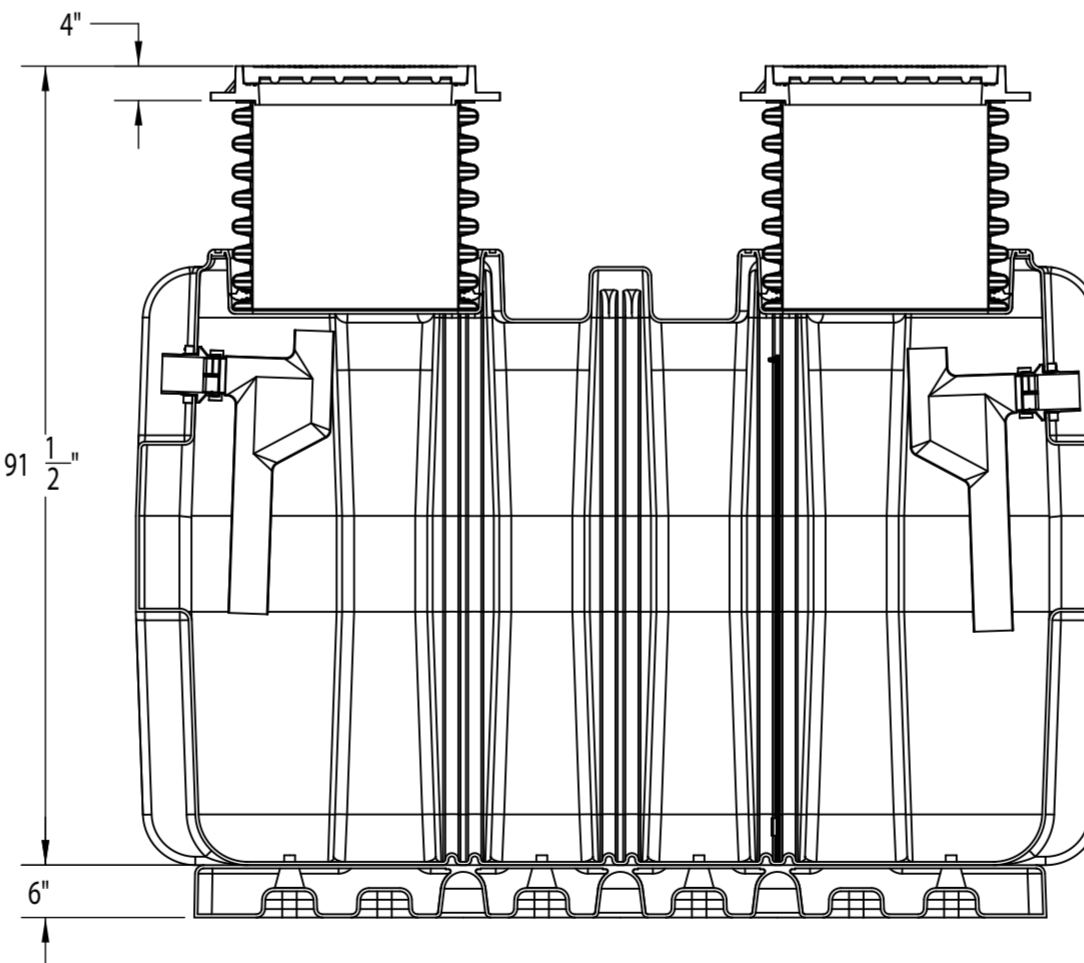
DETAILS

- Certified by CSA and IAPMO to ASME A112.14.3, CSA B481, and ANSI Z1001
- Approved installation to ASME A112.14.3 Type C
- Factory installed internal piping.
- 3/8" thick seamless high density polyethylene.
- Full internal access through lids.
- Vent not required for proper operation.
- Designed for above or below ground installations.
- Integral Anti-siphon Air Relief port.

SUFFIX	OPTIONAL VARIATIONS
-AK	High water anchor kit
-C	Lid extension(specify)
-DP	Dosing pump
-EP	Enzyme port
-F6	6" No Hub inlet/outlet connection
-HLA	High level alarm



SHOWN WITH DIRECT CONNECT LID OPTION (-DCL)



PROPRIETARY AND CONFIDENTIAL
THE INFORMATION CONTAINED IN THIS DRAWING IS THE SOLE PROPERTY OF MIFAB, INC. ANY REPRODUCTION IN PART OR AS A WHOLE WITHOUT THE WRITTEN PERMISSION OF MIFAB, INC. IS PROHIBITED.

LASER/SHEAR:		UNLESS OTHERWISE SPECIFIED:	NAME	DATE	
BRAKE PRESS:		DIMENSIONS ARE IN INCHES	XX	XX	
WELDED BY:		TOLERANCES:	CHECKED	XX	TITLE: 1300gallon LIQUID HOLD CAP. GREASE INT.
CLEAN/PAINT:		FRACTIONAL ± 1/16	ENG APPR.		
COMPLETED BY:		ANGULAR: MACH ± 1 A BEND ± 1 A	MFG APPR.		SIZE C
REVIEWED BY:		TWO PLACE DECIMAL ± .015	Q.A.		
NEXT ASSY	USED ON	THREE PLACE DECIMAL ± .010	QUANTITY:		DWG. NO. SUPER-1300
APPLICATION		TYPICAL DRAFT ANGLE: 2°	SEE-BOM		REVISIONS
			XX		SCALE: 1:22
					WEIGHT:
					SHEET 1 OF 1