

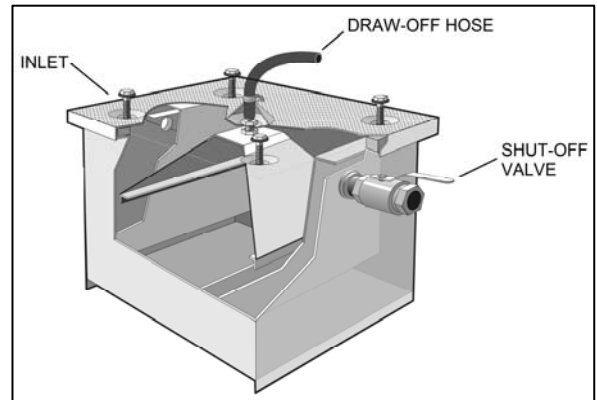
MI-G-SDH Installation and Maintenance Instructions

Installation Considerations

Install interceptor as close as practical to fixture or fixtures being served. The interceptor may be set on the floor, partially recessed, with top flush with the floor, or fully recessed below the floor to suit piping and structural conditions. The interceptor should not be placed in a traffic area because the draw-off connection extends beyond the surface of the lid.

Anticipate sufficient clearance for removal of the interceptor cover for cleaning. Avoid installation wherein long runs of pipe (exceeding 25ft.) are necessary to reach interceptor. This precaution will preclude the possibility of pipeline becoming clogged with congealed grease that will collect before reaching the grease interceptor.

Do not install grease interceptor in waste line from garbage grinder. Garbage grinder waste must by-pass interceptor, for rapid accumulation of solid matter will greatly reduce grease interceptor efficiency preventing operation in compliance with rated capacity.



Flow Control

The flow control fitting is furnished with the interceptor and must be installed ahead of interceptor waste line beyond the last connection from the fixture and as close as possible to the underside of lowest fixture. When waste of two or more sinks or fixtures are combined to be served by one interceptor, a single flow control fitting should be used. Air intake for flow control may be terminate under sink drain board as high as possible to prevent overflow or terminate in a return bend at the same height and on outside of building. When fixture is individually trapped and back vented, air intake may intersect vent stack.

All installation recommendations are subject to approval of code authority.

Venting

Grease interceptors must have a vented waste, sized in accordance with code requirements for venting traps to retain water seal and prevent siphoning.

Multiple Fixture Installation

One interceptor to serve multiple fixtures is recommended only where fixtures are located close together. In such installations, each fixture should be individually trapped and back vented.

Installation

Properly install interceptor per all considerations and approval of code authority. Install the flow control fitting prior to the interceptor. The shut-off valve is connected to the outlet of the interceptor via a pipe nipple. Make sure that all the interceptor bolts and cap for the draw-off hose are installed. Fill the interceptor and check for leaks. Be sure that the shut-off valve is open prior to placing the interceptor into service.

Maintenance Considerations

To obtain optimum operating efficiency of a properly size and installed interceptor, a regular schedule of maintenance must be adhered to.

Maintenance

When the accumulated grease is ready to be drawn-off, the pipe cap on the top of the interceptor is removed and the draw-off hose is attached with a hose clamp. After warming the interceptor with hot water from the fixture to liquefy the accumulated grease, the draw-off valve is closed to block water escaping through the outlet. Water from the fixture enters at a low flow rate to elevate the liquefied grease into the draw-off pyramid and through the hose to a disposal container. When clear water appears at the hose outlet, the shut-off valve is opened to drop the water level in the interceptor for normal operation. The unit may need to be opened periodically to remove solids and sediment from the interceptor.