

Location: \_\_\_\_\_



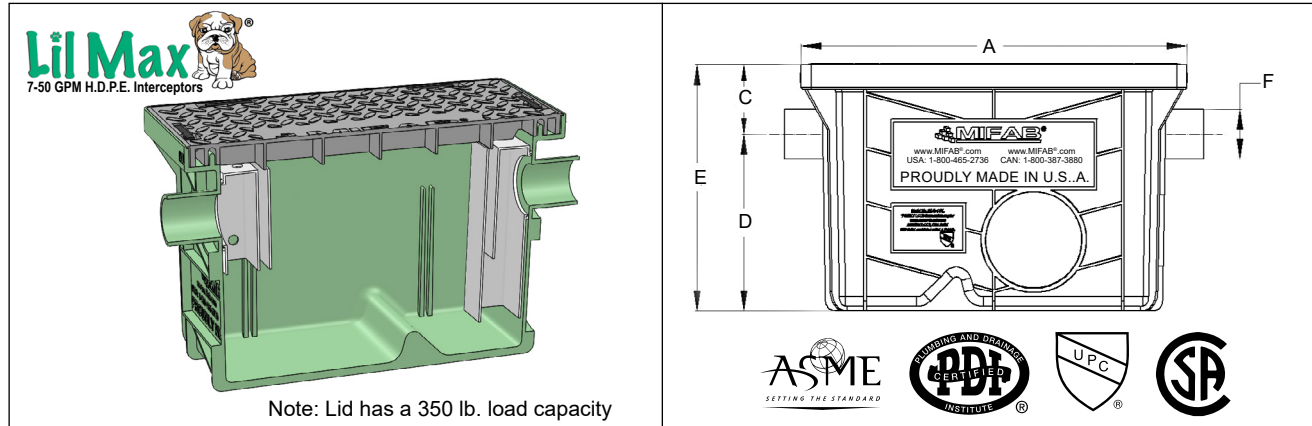
**MI-G-PL**

**Lil Max® – 7 to 50 GPM  
HDPE Grease Interceptors**



**Specification:** MIFAB® Series MI-G-PL \_\_\_\_\_ HDPE injection molded hydromechanical grease interceptor with flow rating of \_\_\_\_\_ (indicate) and grease holding capacity of \_\_\_\_\_ (indicate). Unit shall include: removable baffle assembly, deep seal trap covered by lid, sewer gas stopper, securing latches, external vented flow control fitting, internal air relief by pass, HDPE injection molded, non skid, rectangular gasketed lid(s). Interceptor shall be tested and certified to the P.D.I. Standard PDI-G101, CSA B481, A.S.M.E. A112.14.3 and listed with I.A.P.M.O. Lil Max grease interceptors are also in compliance with International Plumbing Code (I.P.C.) / I.C.C. by I.A.P.M.O.

**Function:** Used in restaurants, kitchens, institutions and other types of food processing areas where fat, oil and grease (FOG) drains with the waste water. External flow control fitting must be installed according to manufacturer's instructions to control rate of flow into the interceptor and therefore, the operating efficiency. Interceptor may be installed on the ground, semi recessed or flush with the floor. Simple latch lid design permits fast and easy removal of the lid for cleaning and maintenance. HDPE injection molded body and lid is covered by a limited lifetime warranty. Sewer gas stopper prevents foul odors from entering the kitchen area through the interceptor. All Lil Max interceptors can withstand a temperature of up to and including 180 degrees Fahrenheit.



MODEL NO.	FLOW RATE (GPM)	GREASE CAP. (LBS.)	LIQUID CAP. (Gallons)	A (IN)	B (IN) WIDTH	C (IN)	D (IN)	E (IN)	F (IN)	Shipping Weight (lbs.) (in box)	Box Dimensions (L x W x H)
MI-G-1-PL	7	14	5.8	19.5	15.5	3.5	9	12.5	2	16	22" x 16" x 13"
MI-G-2-PL	10	20	8.5	23	17.5	3.5	9.75	13.25	2	25	25" x 18" x 14"
MI-G-3-PL	15	30	13	23	17.5	3.5	13.25	16.75	2	28	25" x 18" x 17.5"
MI-G-4-PL	20	40	16	29.5	20.5	3.5	10.75	14.25	3	36	32" x 21" x 15"
MI-G-5-PL	25	50	23	29.5	20.5	3.5	14.75	18.25	3	39	32" x 21" x 19"
MI-G-6-PL	35	70	39	33	25.5	5.5	16.75	22.25	3	52	35" x 26" x 23"
MI-G-7-PL	50	100	44	33	25.5	5.5	18.75	24.25	3	66	35" x 26" x 25"
MI-G-L-25-PL	25	50	19	33	25.5	3.5	9	12.5	3	43	35" x 26" x 13"

Suffix	Description
-C	Extension "C" as required (up to 9" increments) (for models MI-G-4-PL and MI-G-5-PL) (contact MIFAB® for other model extensions)
-C	Extension "C" as required (up to 9" increments) (for models MI-G-6-PL, MI-G-7-PL and MI-G-L-25-PL)
-DP	Dosing Pump
-EP	Enzyme port
-F	Connection sizes different from standard (specify size) (by using a MIFAB MI-HUB increasing / reducing coupling).
-HD	Heavy duty 10 gauge steel lid (up to 2,000 lbs.) - see MICS cover shrouds from the MPB price book
-HLA	High level alarm and float switch (to be installed on site)
-LHSI	No hub inlet on left hand side (not available with sediment bucket)

-OP	Internal flow control (does not meet PDI Standards)
-RHSI	No hub inlet on right hand side (not available with sediment bucket)
-SB	Sediment bucket for MI-G-1-PL
-SB	Sediment bucket for MI-G-2-PL
-SB	Sediment bucket for MI-G-3-PL
-SB	Sediment bucket for MI-G-4-PL
-SB	Sediment bucket for MI-G-5-PL
-SB	Sediment bucket for MI-G-6-PL
-SB	Sediment bucket for MI-G-7-PL
-SB	Sediment bucket for MI-G-L-25-PL
-T	Female threaded connections
-T	Female threaded connections

CALIFORNIA PROPOSITION 65 WARNING. This product contains chemicals known to the State of California to cause cancer and birth defects or other reproductive harm.

Job Name: \_\_\_\_\_ Page No: \_\_\_\_\_  
 Section No: \_\_\_\_\_ Contractor: \_\_\_\_\_  
 Schedule No: \_\_\_\_\_ Purchase Order No: \_\_\_\_\_

MIFAB reserves the right to make changes in material and design without formal notice and obligation. USA: 1-800-465-2736 www.mifab.com CAN: 1-800-387-3880