

Location: _____

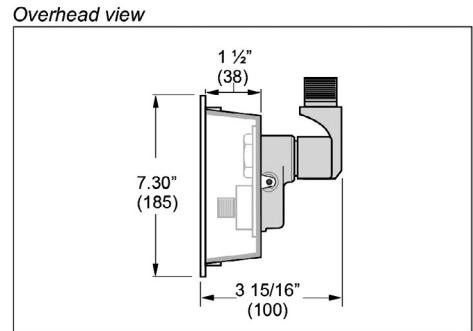
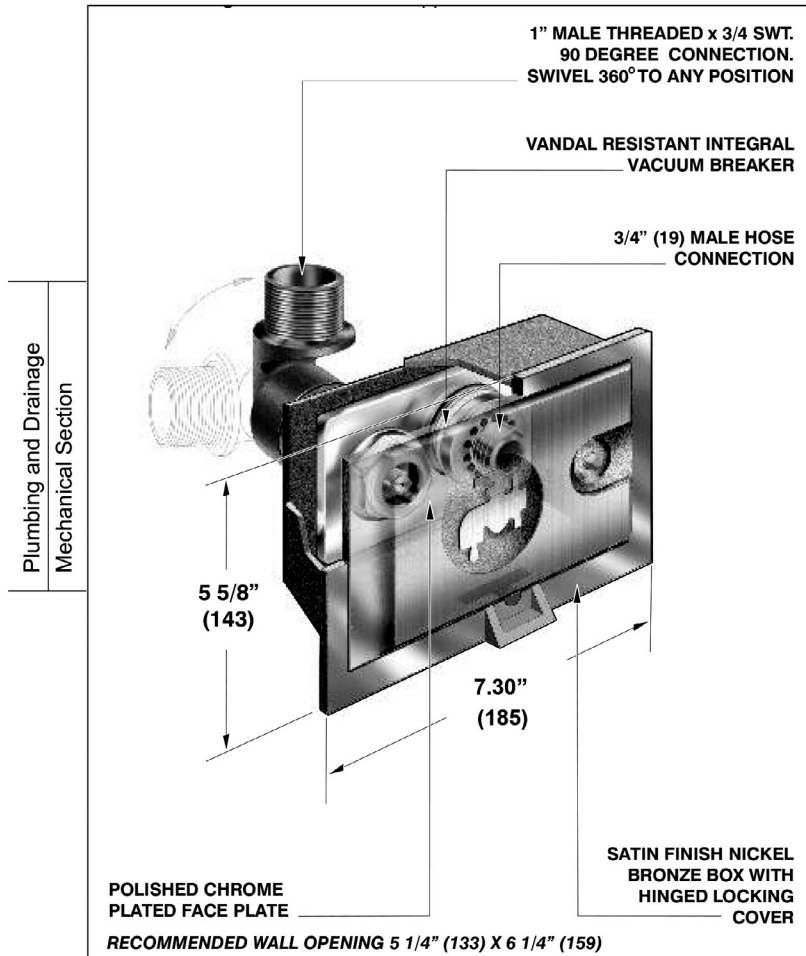


MHY-55

ENCASED LOW LEAD MODERATE CLIMATE NARROW WALL HYDRANT

Specification: MIFAB® Series MHY-55 self draining, low lead, moderate climate narrow wall hydrant with A.S.S.E. 1011 certified antisiphon vandal resistant vacuum breaker. Operating key furnished with each hydrant.

Function: Designed for commercial applications in moderate climate areas to fit within a 4" (102) wall.



MHY-55 SERIES FEATURES:

- **INTERNAL COMPONENTS** - hardened bronze operating stem and one piece neoprene plunger.
- **VACUUM BREAKER** - unique self draining vandal resistant integral vacuum breaker protects from anti-siphon conditions.
- **FACE PLATE** - polished chrome plated.
- **WATER SUPPLY CONNECTION** - swivel 360° to any position.
- **APPROVALS** - MHY-55 wall hydrant is listed with I.A.P.M.O. and manufactured with an anti-siphon vacuum breaker that is tested and certified to the A.S.S.E. Standard 1011.

*Maximum static operating pressure is 125 PSI and minimum running pressure is 8 PSI



The wetted surface contacted by consumable water contains less than one quarter of one percent (0.25%) of lead by weight.

MODEL NO.	OVER LENGTH		APPROXIMATE WEIGHT		SWIVEL INLET CONNECTION
	IN	MM	Lbs.	Kgs.	IN
MHY-55	3 15/16	100	2	0.9	1" MALE THREADED X 3/4" SWT.

SUFFIX OPTIONAL VARIATIONS

- BA Minimum 51% material cost made in the USA
- DVB Chrome Plated Double Check Vacuum Breaker (MHY-9006-CP) (tested and certified to the ASSE 1052 Standard)
- K Cylinder key lock
- PA Pennsylvania Steel Act compliant product
- RB Fabricated stainless steel hydrant box with round back for tilt up construction (MHY-3-RB- 5 7/8" round back with 2" x 3.81" rectangular opening to receive hydrant).

SUFFIX OPTIONAL VARIATIONS

- S Four 1" x 1 1/4" (25 x 6) slots on top and two sides of box to receive mounting brackets
- WC Wall clamp
- 0 1" (25) Hose connection
- 3 Cast stainless steel hydrant box
- 49 Polished chrome plated nickel bronze box

(Dimensions) Donates Millimeters

CALIFORNIA PROPOSITION 65 WARNING. This product contains chemicals known to the State of California to cause cancer and birth defects or other reproductive harm.

Job Name: _____ Page No: _____
 Section No: _____ Contractor: _____
 Schedule No: _____ Purchase Order No: _____