

Location: _____



WSCV

**WAFFER SILENT CHECK VALVE
CLASS 125**

Purpose: The Beeco Silent Check Valve is a fast-closing check valve that is designed to prevent slam when closing. Cast Iron Silent Check Valves are designed to prevent water hammer effect. The spring design allows the closure disc to travel further than other valves of this style, decreasing flow loss.

Working Pressure and Temperature: Beeco Silent Check Valves come in both ANSI B16.1 Class 125 standard and a HP model ANSI B16.2 Class 250.

Temperatures range from 50°F to 250°F with standard EPDM Seat O-Ring.

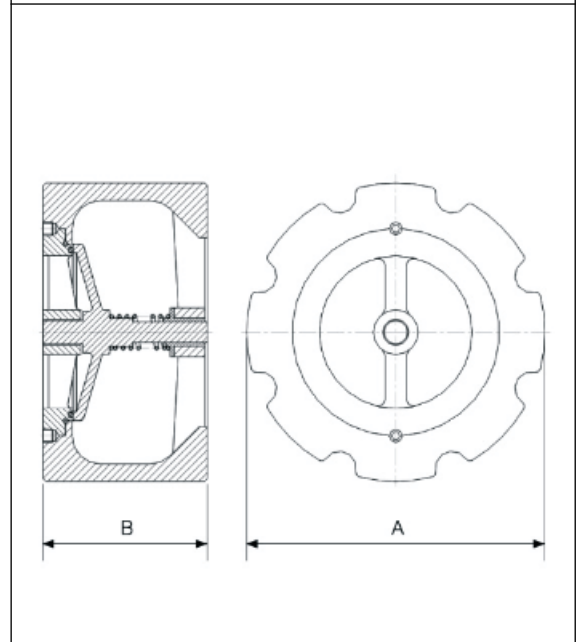
Temperatures range from 50°F to 180°F with NBR Seat O-Ring.

Temperatures range from 50°F to 300°F with Viton Seat O-Ring.

Part Name	Material	EN Spec.	ASTM Spec.
Body	Cast Iron	EN-JL1040	A126 Class B
Seat	Stainless Steel	BS970 304S15	A351 CF8
	Bronze	EN1982 CC491K	B62 C83600
Disc	Stainless Steel	BS970 304S15	A351 CF8
	Bronze	EN1982 CC491K	B62 C83600
Spring	Stainless Steel	BS970 304S15	AISI 304
Bushing	Bronze	EN1982 CC491K	B62 C83600
Screw	Stainless Steel	BS970 304S15	AISI 304
Seat O-Ring	EPDM/NBR/Viton	Commercial	Commercial



Model No.	Size	A		
		ANSI 125# & 250# Flange	PN16 & PN25 Flange	B
WSCV2.00-FLG-SS	2"	4.25"	4.25"	2.64"
WSCV2.50-FLG-SS	2 1/2"	5.00"	5.00"	2.87"
WSCV3.00-FLG-SS	3"	5.75"	5.91"	3.15"
WSCV4.00-FLG-SS	4"	7.40"	6.57"	4.02"
WSCV5.00-FLG-SS	5"	8.39"	8.39"	4.65"
WSCV6.00-FLG-SS	6"	9.76"	9.76"	5.51"
WSCV8.00-FLG-SS	8"	13.39"	13.39"	6.50"
WSCV10.00-FLG-SS	10"	16.14"	16.14"	8.50"
WSCV12.00-FLG-SS	12"	16.34"	16.34"	11.26"
WSCV14.00-FLG-SS	14"	18.82"	18.82"	13.78"



CALIFORNIA PROPOSITION 65 WARNING: This product contains chemicals known to the State of California to cause cancer and birth defects or other reproductive harm.

Job Name: _____ Page No: _____

Section No: _____ Contractor: _____

Schedule No: _____ Purchase Order No: _____

MIFAB reserves the right to make changes in material and design without formal notice and obligation.

USA: 1-800-465-2736 www.mifab.com CAN: 1-800-387-3880