

Location: \_\_\_\_\_



# PRV-F

## WATER PRESSURE REDUCING VALVES SEPARATE STRAINER

**Specification:** A Water Pressure Reducing Valve with a built in strainer shall be installed in the incoming water line where supply main pressure exceeds 60psi (413 kPa). The Pressure Reducing Valve shall consist of a bronze body and metal cap, and shall have an adjustment screw to allow adjusting the pressure down to 50psi (345 kPa), and shall be designed for incoming pressures up to 300 PSI (20.7 bar). The device must have a built in strainer that will stop debris from entering the pressure reducing chamber and is removable for cleaning. Valve shall be of the balanced piston design and shall reduce pressure in both flow and no-flow conditions.

**Ratings:**

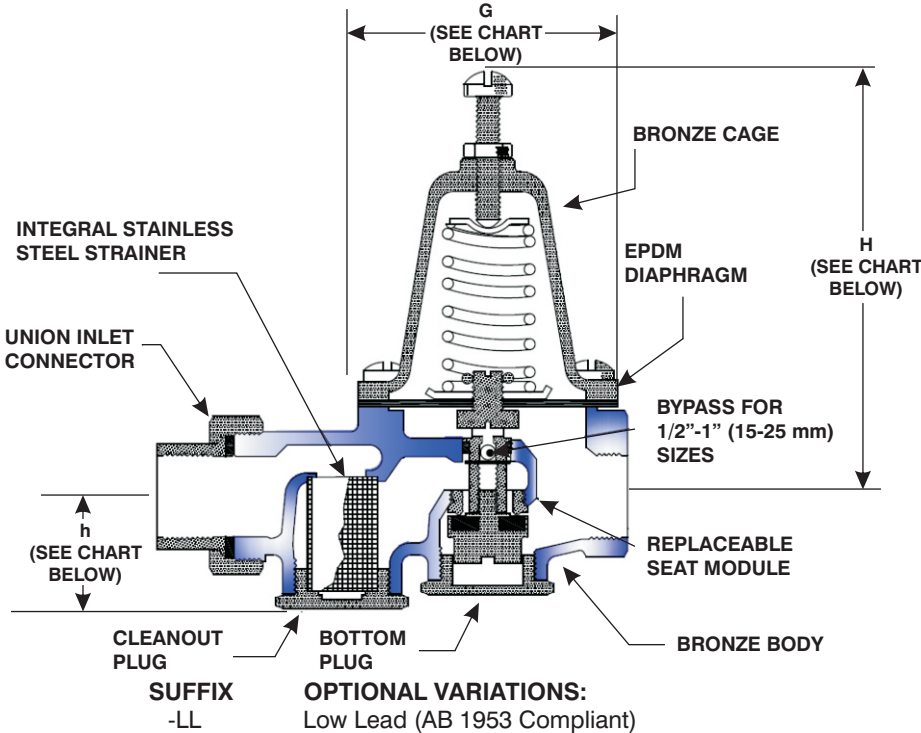
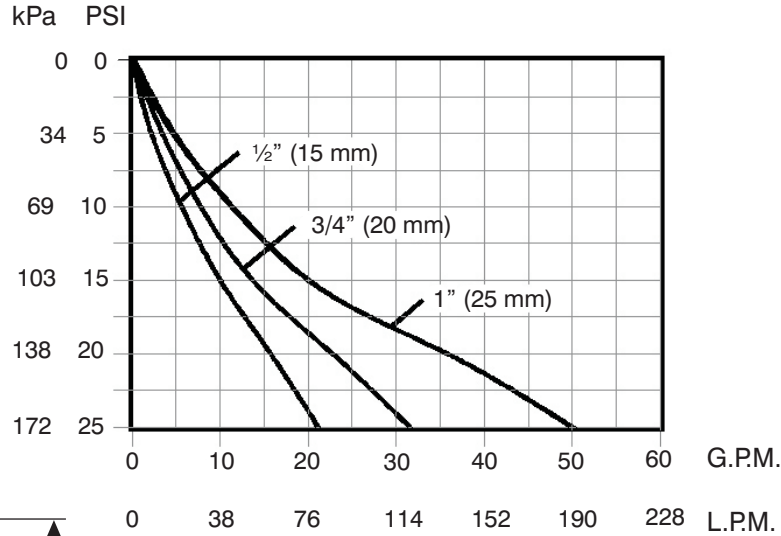
Temperature Range: 33° F - 180° F (0.5° C - 82° C).  
 Maximum Working Pressure: 300 P.S.I. (20.7 bar).  
 Adjustable Pressure Range: 25-75 P.S.I. (172 - 517 kPa).  
 Standard Reduced Pressure Setting: 50 P.S.I. (345 kPa).

**Materials:**

Body and Cage: ASTM B 584  
 Integral Strainer: Stainless Steel  
 Valve Disk: Elastomer  
 Diaphragm: Reinforced EPDM  
 Seat: Engineered Polymer

**Features:**

Internal Bypass for Thermal Expansion.  
 Convenient Strainer and Seat Access. In-line serviceability.  
 Corrosion Resistant Body and Cover.  
 Single or Double Union Connection.  
 Stainless Steel Strainer.



### PRVX.XX-SU-IPS-F

Size:

- 1/2" = 0.50
- 3/4" = 0.75
- 1" = 1.00

SU = Single Union  
 DU = Double Union

IPS = NPT Female Thread  
 SWT = Solder Union

Full Length Valve



Valve is tested and certified to A.S.S.E. Standard 1003 (ANSI A 112.26.2), listed with I.A.P.M.O. and certified to CSA Standard B356.

Size	Model Number				H	h	G
	SU-IPS-F	DU-IPS-F	SU-SWT-F	DU-SWT-F			
1/2" (13)	PRV.50-SU-IPS-F 5.28" (134)	PRV.50-DU-IPS-C 6.53" (166)	PRV.50-SU-SWT-F 5.05" (128)	PRV.50-DU-SWT-F 6.10" (155)	5.12" (130)	1.14" (29)	2.75" (70)
3/4" (19)	PRV.75-SU-IPS-F 5.28" (134)	PRV.75-DU-IPS-C 6.53" (166)	PRV.75-SU-SWT-F 5.30" (135)	PRV.75-DU-SWT-F 6.58" (167)	5.12" (130)	1.14" (29)	2.75" (70)
1" (25)	PRV1.00-SU-IPS-F 6.26" (159)	PRV1.00-DU-IPS-C 7.51" (191)	PRV1.00-SU-SWT-F 6.46" (146)	PRV1.00-DU-SWT-F 7.94" (202)	5.71" (145)	1.54" (39)	3.41" (87)

Job Name: \_\_\_\_\_ Page No: \_\_\_\_\_  
 Section No: \_\_\_\_\_ Contractor: \_\_\_\_\_  
 Schedule No: \_\_\_\_\_ Purchase Order No: \_\_\_\_\_