

Location: \_\_\_\_\_



# PRV-C

## WATER PRESSURE REDUCING VALVES LARGE -LL

**Specification:** A Water Pressure Reducing Valve with a built in strainer shall be installed in the incoming water line where supply main pressure exceeds 60psi (413 kPa). The Pressure Reducing Valve shall consist of a bronze body and metal cap, and shall have an adjustment screw to allow adjusting the pressure down to 50psi (345 kPa), and shall be designed for incoming pressures up to 300 PSI (20.7 bar). The device must have a built in strainer that will stop debris from entering the pressure reducing chamber and is removable for cleaning. Valve shall be of the balanced piston design and shall reduce pressure in both flow and no-flow conditions.

**Ratings:**

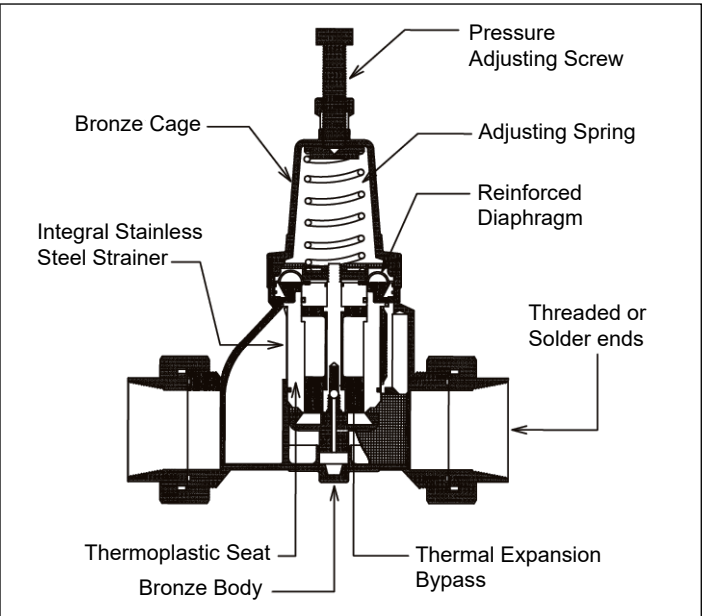
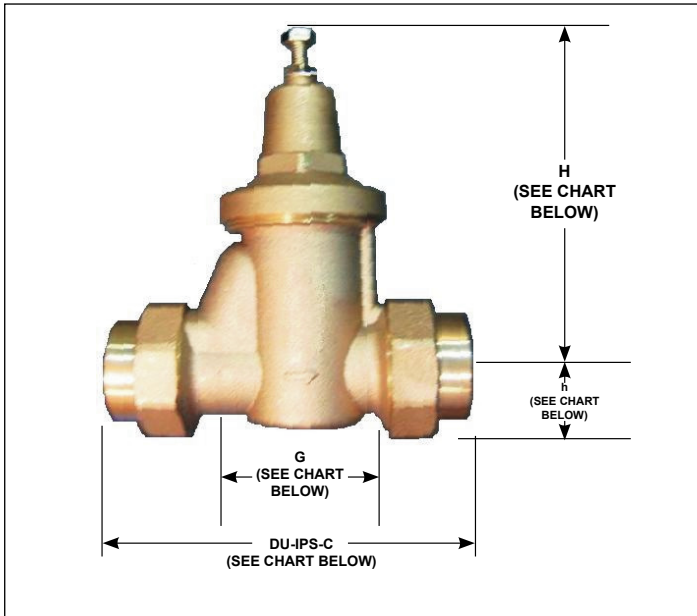
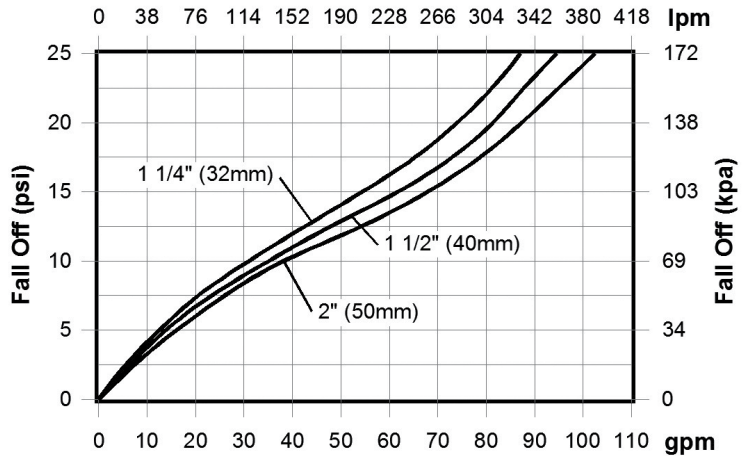
Temperature Range: 33° F - 180° F (0.5° C - 82° C).  
 Maximum Working Pressure: 300 P.S.I. (20.7 bar).  
 Adjustable Pressure Range: 25-75 P.S.I. (172 - 517 kPa).  
 Standard Reduced Pressure Setting: 50 P.S.I. (345 kPa).

**Materials:**

Body and Cage: ASTM B 584 (copper construction)  
 Integral Strainer: Stainless Steel  
 Valve Disk: Elastomer  
 Diaphragm: Reinforced  
 EPDM Seat: Engineered Polymer

**Features:**

Internal Bypass for Thermal Expansion.  
 In-line serviceability.  
 Corrosion Resistant Body and Cover.



Size	DU-IPS-C	Model No.	DU-SWT-C	Model No.	H	h	G
1 1/4" (32)	6.69" (170)	PRV.125-DU-IPS-C-LL	7.09" (180)	PRV1.25-DU-SWT-C-LL	7.44" (189)	1.22" (31)	3.38" (86)
1 1/2" (38)	6.93" (176)	PRV1.50-DU-IPS-C-LL	7.48" (190)	PRV1.50-DU-SWT-C-LL	7.44" (189)	1.42" (36)	3.38" (86)
2" (51)	7.28" (185)	PRV2.00-DU-IPS-C-LL	8.31" (211)	PRV2.00-DU-SWT-C-LL	7.44" (189)	1.65" (42)	3.38" (86)



**Approvals:**

Valve is tested and certified to A.S.S.E. Standard 1003 (ANSI A 112.26.2), listed with I.A.P.M.O. and certified to cUPC®

CALIFORNIA PROPOSITION 65 WARNING: This product contains chemicals known to the State of California to cause cancer and birth defects or other reproductive harm.

Job Name: \_\_\_\_\_

Page No: \_\_\_\_\_

Section No: \_\_\_\_\_

Contractor: \_\_\_\_\_

Schedule No: \_\_\_\_\_

Purchase Order No: \_\_\_\_\_