

Location: _____



PG

PRESSURE GAUGES

Specification: BEECO Pressure Gauges are designed for use in residential, commercial, industrial and HVAC applications. Accuracy to ASME type B with a copper alloy NPT connection in various sizes and ratings.

Function: The BEECO Model Pressure Gauges are used for all suitable air and liquid systems for medium which does not clog connection ports or corrode copper alloy. Can be used in all water applications and can be used in both pneumatic systems and compressed air systems.

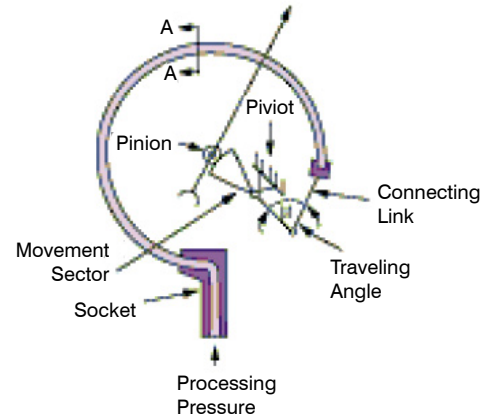
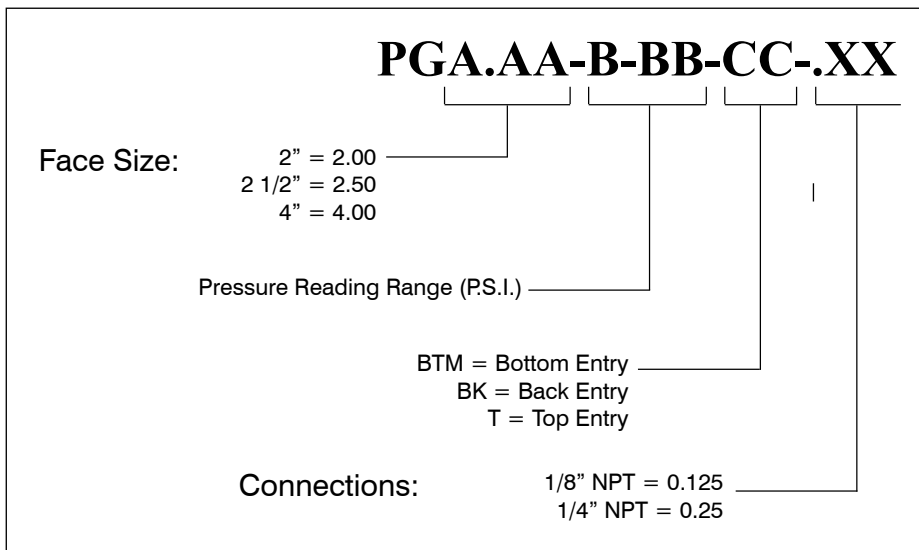
Features: Gauges come in ranges from 0-30 psi up to 0-300 psi. In Top, Bottom and Back mounting options. In both 1/8" NPT and 1/4" NPT connections.

Ratings:

Operating Temperatures Ambient -40°F to 140°F (-40°C to 60°C).
 Class: F+ 3/2/3% (ASMA B40.100 Grade B), KI 2.5 FOR 1/1/2" & 2", KI 1.6 for 3" & 4"
 Vacuum compound 0 to 60psi Accuracy

Materials:

Case: Black Painted Steel, Window Acrylic (glass, acrylic glass, polycarbonate), NPT Connections: Brass
 Movement: Semi-Brass, Pointer: Aluminum, Dial: Aluminum, Bourdon Tube: Copper Alloy.



BEECO PG

Model No.	Range	Model No.	Range
PG2.00-0-60-BK-.25	0-60	PG2.50-0-100-BTM-.25	0-100
PG2.00-0-160-BK-.25	0-160	PG2.50-0-160-BTM-.25	0-160
PG2.00-0-60-BK-.125	0-60	PG2.50-0-200-BTM-.25	0-200
PG2.00-0-160-BK-.125	0-160	PG2.50-0-300-BTM-.25	0-300
PG2.00-0-60-T-.25	0-60	PG4.00-0-30-BTM-.25	0-30
PG2.00-0-160-T-.25	0-160	PG4.00-0-60-BTM-.25	0-60
PG2.00-0-60-T-.125	0-60	PG4.00-0-100-BTM-.25	0-100
PG2.00-0-160-T-.125	0-160	PG4.00-0-160-BTM-.25	0-160
PG2.50-0-30-BTM-.25	0-30	PG4.00-0-200-BTM-.25	0-200
PG2.50-0-60-BTM-.25	0-60	PG4.00-0-300-BTM-.25	0-300

CALIFORNIA PROPOSITION 65 WARNING. This product contains chemicals known to the State of California to cause cancer and birth defects or other reproductive harm.

Job Name: _____ Page No: _____
 Section No: _____ Contractor: _____
 Schedule No: _____ Purchase Order No: _____