

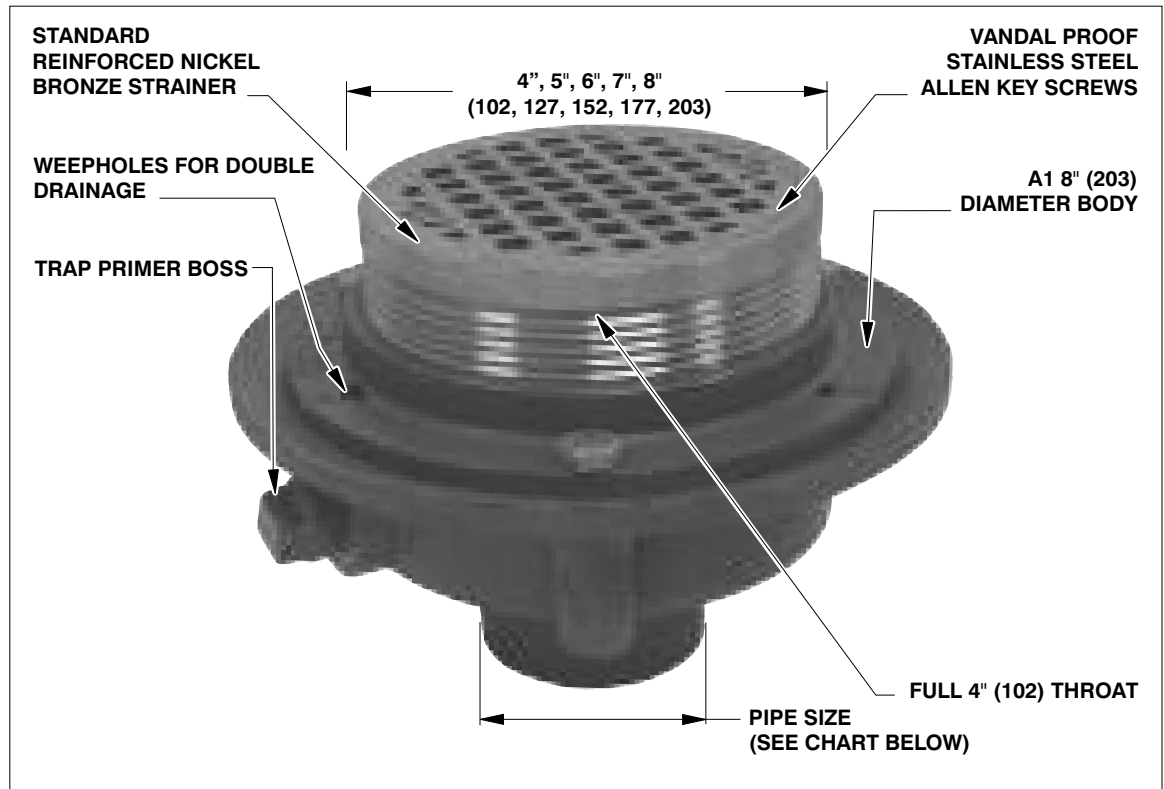


F110-C


FLOOR DRAIN FOR NON-MEMBRANE FLOOR AREAS

Specification: MIFAB® Series F110-C (*)-1 (* specify strainer diameter) lacquered cast iron floor drain with anchor flange, and standard satin finished nickel bronze strainer with vandal proof stainless steel allen key screws.


Function: Used in showers, kitchens, restrooms, and other non-membrane finished areas. Round adjustable nickel bronze strainer is used for all types of poured finished floors.



PARTS:



A1 BODY



(*)-1
(*) Denotes STR. Size

F110-C - FLOOR DRAIN WITH 7" DIA. CAST IRON BODY AND ROUND, ADJUSTABLE NICKEL BRONZE STRAINER -WITH MEMBRANE CLAMP AND TRAP PRIMER TAPPING AND PLUG

MODEL NUMBER	OUTLET SIZE	OUTLET TYPE	WT LBS.	STRAINER DIAMETER	LIST PRICE
F112,3,4-C-4-1	2", 3", 4"	No Hub	7.25	4"	67.50
F112,3,4-C-5-1	2", 3", 4"	No Hub	7.50	5"	67.50
F112,3,4-C-6-1	2", 3", 4"	No Hub	8.00	6"	118.50
F112,3,4-C-7-1	2", 3", 4"	No Hub	8.50	7"	120.50
F112,3,4-C-8-1	2", 3", 4"	No Hub	9.50	8"	142.50
F112,3,4P-C-4-1	2", 3", 4"	Push on	7.75	4"	75.00
F112,3,4P-C-5-1	2", 3", 4"	Push on	8.00	5"	75.00
F112,3,4P-C-6-1	2", 3", 4"	Push on	8.50	6"	138.00
F112,3,4P-C-7-1	2", 3", 4"	Push on	9.00	7"	148.00
F112,3,4P-C-8-1	2", 3", 4"	Push on	10.00	8"	160.00

Job Name: _____ Page No: _____
 Section No: _____ Contractor: _____
 Schedule No: _____ Purchase Order No: _____