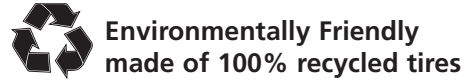


## CESH-Series (Heavy Load)



### Specification Sheet:

#### Dimensions

16" High x 24" and 36" Wide x 22" Length

#### Material

Base: 100% recycled rubber, UV resistant

Crossbeam: 1 5/8" x 3 1/4" Galv. steel back to back strut

Uprights: 1 5/8" x 1 5/8" 12 ga. Galv. steel strut

Bracket: 4 hole - 90° angle

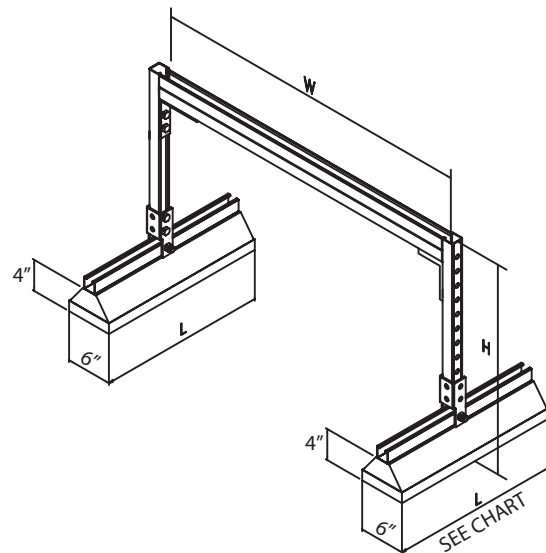
Fitting: 5 hole wing fitting - 1/2 inch nut with 1/2" x 1" long

**Clamps:** Suitable for use with 2 piece pipe clamps

- Heavy duty pipe support for heavier pipe applications.
- Recommended for pipes 4" in diameter and up.
- Made for multiple pipe applications.

**Load Rating** - 500 - 750 lbs

\*Consult roofing manufacturer or engineer for roof loading.



MODEL #	Height (H)	Width (W)	Length (L)	Weight
CESH20-1624	16" (406mm)	24" (610mm)	22" (558.8mm)	45.02 LBS
CESH20-1636	16" (406mm)	36" (914mm)	22" (558.8mm)	48.34 LBS

MIFAB, Inc. 1321 West 119th Street, Chicago Illinois 60643-5109, USA  
Tel: 1-800-465-2736 Fax: 773-341-3049

[www.mifab.com](http://www.mifab.com)