

Location: _____



C1400-R/S

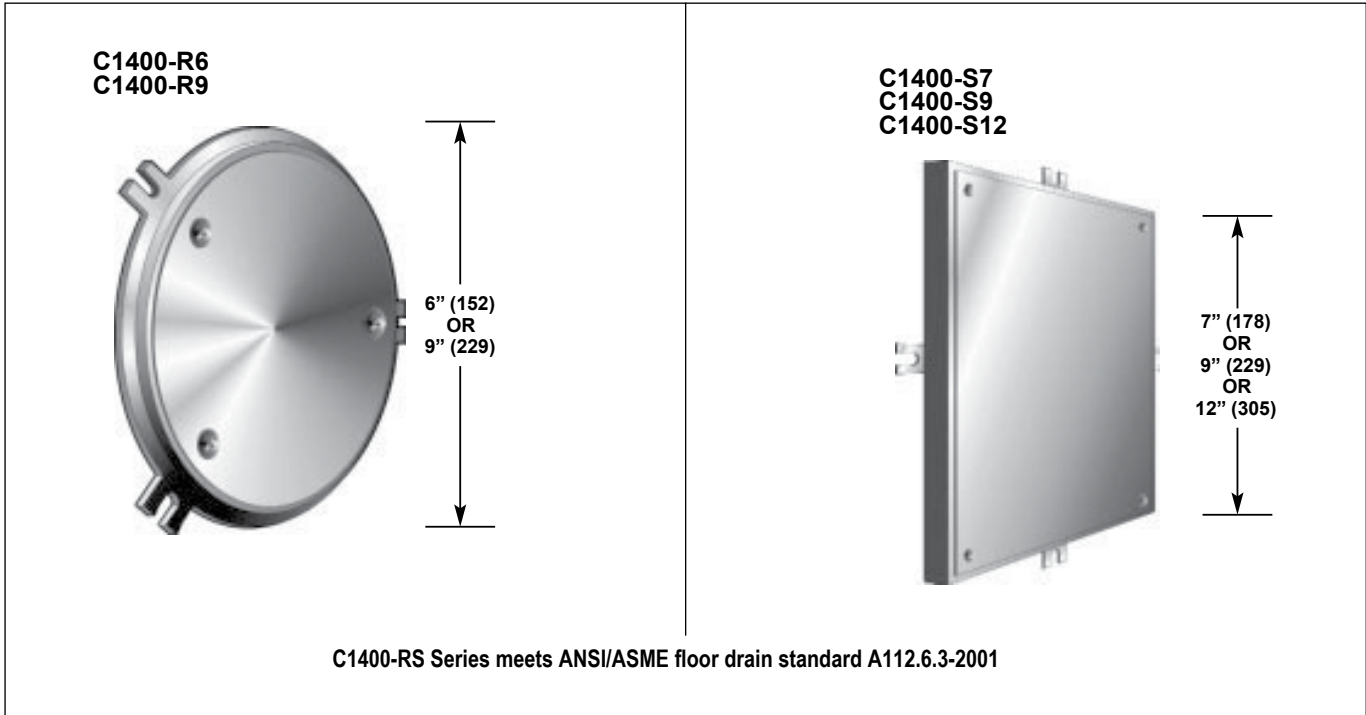
SMOOTH WALL ACCESS COVERS

Specification:

C1400-R: MIFAB® Series C1400-R, round smooth access cover and frame (specify material) with anchor lugs and vandal resistant stainless steel allen key screws. (specify R6 (6") or R9 (9"))

C1400-S: MIFAB® Series C1400-S, square smooth access cover and frame (specify material) with anchor lugs and vandal resistant stainless steel allen key screws. (specify S7 (7" x 7") or S9 (9" x 9"))

Function: Used in walls to provide emergency access to plumbing lines for removal of blockages. Smooth cover is ideal for wall installations. Anchor tabs provide a means to secure from the wall structure.



MODEL NUMBER	DESCRIPTION
C1400-R6	6" round smooth access cover
C1400-R9	9" round smooth access cover

MODEL NUMBER	DESCRIPTION
C1400-S7	7" x 7" smooth access cover
C1400-S9	9" x 9" smooth access cover
C1400-S12	12" x 12" smooth access cover

Suffix	Description
-1	Nickel bronze cover and frame
-3	Stainless steel cover and frame
-6	Security screws (TR25 Torx & pin)
-BA	Minimum 51% material cost made in the USA
-PA	Pennsylvania Steel Act compliant product

CALIFORNIA PROPOSITION 65 WARNING. This product contains chemicals known to the State of California to cause cancer and birth defects or other reproductive harm.

Job Name: _____ Page No: _____
 Section No: _____ Contractor: _____
 Schedule No: _____ Purchase Order No: _____