

Location: _____

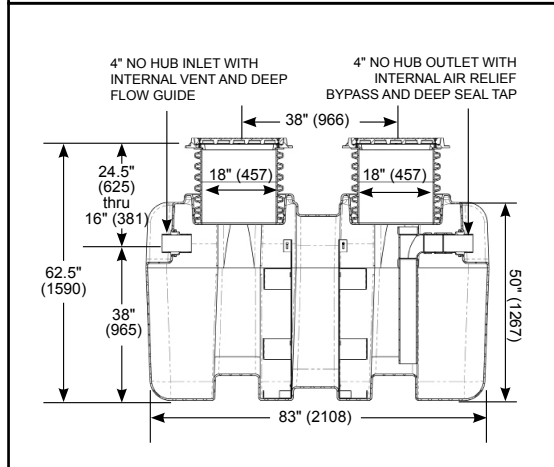
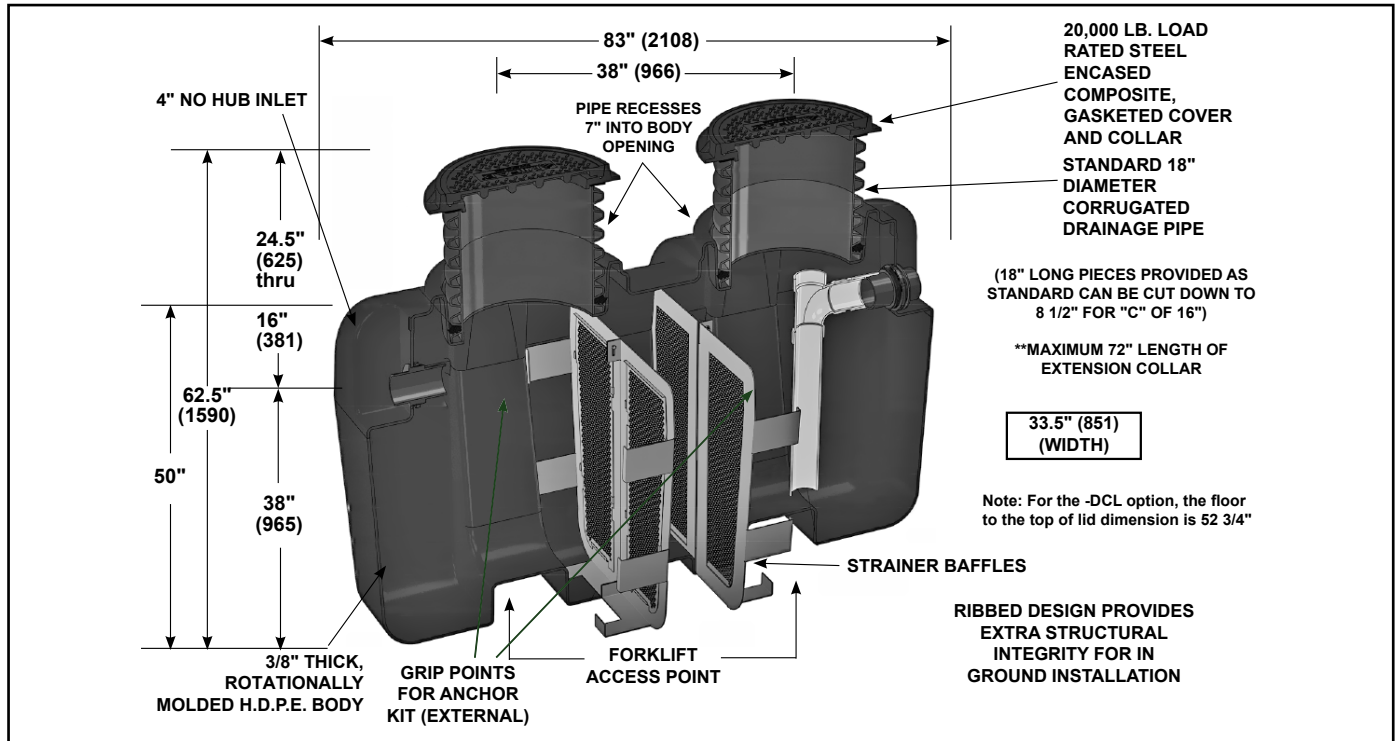


XL-MI-FISHSCALE-PL-300

LARGE CAPACITY PLASTIC FISH SCALE INTERCEPTOR

Specification: MIFAB® XL-MI-FISHSCALE-PL-300, fish scale interceptor with 300 gallon liquid holding capacity. Interceptor has a limited lifetime warranty and is made in the USA out of seamless, rotationally molded High Density Polyethylene with 3/8" uniform wall thickness. Interceptor designed for above or below ground installation. Interceptor includes dual strainer baffles with 1/4" perforations, adjustable lid system, and multiple outlet options. The steel encased composite lid provides a water / gas tight seal and has a minimum of 20,000 lbs. load capacity. The lid is designed in accordance with the loading requirements of AASHTO H20.

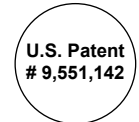
Function: Used in maintenance facilities to receive wastewater that contains fish scale. Regular maintenance is required to keep the interceptor functioning. Interceptor may be installed on the ground, semi recessed, or flush with the floor. Narrow width permits access through doorways and down stairwells. High Density Polyethylene construction ensures a lightweight installation process (two people can move and install it).



MODEL NO.	SAND CAPACITY (GAL)	SHIPPING WEIGHT (Lbs.)
XL-MI-FISHSCALE-PL-300	300	275

SUFFIX OPTIONAL VARIATIONS

- AK High water anchor kit (set of two)
- C Lid extension (specify "C" dimension required)
- CL Holddown brackets for lid (when installed above ground)
- DCL Direct Connect Lid (lid bolted to top of body)
- DI Ductile iron lid & collar
- FL-C Membrane clamp kit
- LHSI 4" no hub inlet on left hand side
- LHSO 4" no hub outlet on left hand side
- RHSI 4" no hub inlet on right hand side
- RHSO 4" no hub outlet on right hand side
- SP External Sample Port (for existing construction. Inlet and Outlet on the same level)
- T Female threaded connections



CALIFORNIA PROPOSITION 65 WARNING. This product contains chemicals known to the State of California to cause cancer and birth defects or other reproductive harm.

Job Name: _____
 Section No: _____
 Schedule No: _____

Page No: _____
 Contractor: _____
 Purchase Order No: _____