

Location: \_\_\_\_\_

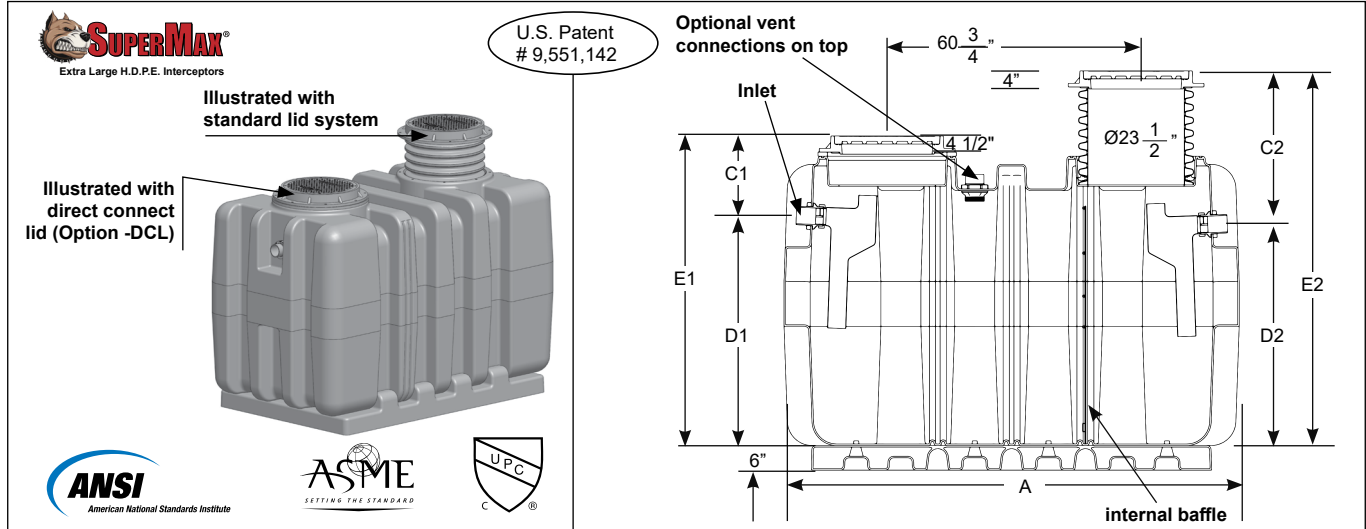


**SUPER-1300**  
(SM-MI-G-PL-1300)

**SUPERMAX® GRAVITY GREASE INTERCEPTOR - 1300 GALLONS LIQUID HOLDING CAPACITY**

**Specification:** MIFAB® SUPER-1300 gravity grease interceptor with 1300 U.S. gallons of liquid holding capacity has a limited lifetime warranty and is made in the U.S.A. out of seamless, rotationally molded High Density Polyethylene with 3/8" uniform wall thickness. Interceptor is designed for above or below ground installation and includes an adjustable lid system, sample port access, internal baffle, deep seal trap covered by lid, internal air relief by-pass, stainless steel calibrated orifice plate (internal flow control), base for support and floor level installation and 4" no hub inlet and outlet connections. Steel encased composite lids provide a water / gas tight seal and have a minimum of 20,000 LB. load capacity - in accordance with the loading requirements of AASHTO H20. The high density polyethylene material is PE 3135 from Dow 9.39 with a density of 0.939 g/cm3. Note that the interceptor is tested and certified to the ASME A112.14.3, CSA B481 and ANSI Z1001 Standards and listed with I.A.P.M.O.

**Function:** Used in restaurants, kitchens, institutions, industrial facilities such as food processing and packaging plants and other types of food processing areas where fat, oil and grease (FOG) drains with the waste water. All SuperMax gravity interceptors can withstand a temperature of up to and including 180 degrees Fahrenheit.



Model	Liquid Holding Capacity	Grease Retention Capacity	Flow Rate (GPM)	A	Width B	C' Dim.	C² Dim.	D¹ Dim.	D² Dim.	E¹ Dim.	E² Dim.	F Connection Size	Shipping Weight (Lbs.)
<b>SUPER-1300</b>	1300 U.S. Gallons 4,921 litres	4,983 lbs.	250	111" 2820mm	64" 1630mm	18.75" 476mm	37.25" 946mm	56.25" 1429mm	54.25" 1378mm	75" 1905mm	91.50" 2324mm	4" 102mm	1,150

Suffix	Description
-AK	Anchor kit (set of two)
-C	Lid extension (specify dimension required)
-COA	Coalescer Pack
-DI	Ductile iron lid & collar
-DP	Dosing pump
-EP	Enzyme port
-FL-C	Membrane clamp kit
-F6	6" No Hub Inlet / Outlet connection (flow rate of 700 GPM with 6" connections)
-F8	8" No Hub Inlet / Outlet connection (fabricated stainless steel) (flow rate of 1,200 GPM with 8" connections)
-HLA	High level alarm and float switch (to be installed on site)
-LHSI	4" no hub inlet on left hand side
-LHSO	4" no hub outlet on left hand side
-POK	Remote pump out kit
-RHSI	4" no hub inlet on right hand side
-RHSO	4" no hub outlet on right hand side
-RPO	4" Remote pump outlet connections on top of interceptor - specify location and number required
-SB	Sediment bucket
-SP	External Sampling port - inline, high connections (Part # BIG-SP)
-SP-L	External Sampling port - inline, low connections (Part # BIG-SP-L)
-SP-OF	External Sampling port - offset (Part # BIG-SP-OF)
-SST	Fire resistant fabricated stainless steel interceptor
-ST	Fire resistant fabricated 10 gauge powder epoxy coated steel interceptor
-V	Vent connection - 4" (specify number required and location - side and / or top)

CALIFORNIA PROPOSITION 65 WARNING. This product contains chemicals known to the State of California to cause cancer and birth defects or other reproductive harm.

Job Name: \_\_\_\_\_ Page No: \_\_\_\_\_  
 Section No: \_\_\_\_\_ Contractor: \_\_\_\_\_  
 Schedule No: \_\_\_\_\_ Purchase Order No: \_\_\_\_\_