

Location: _____



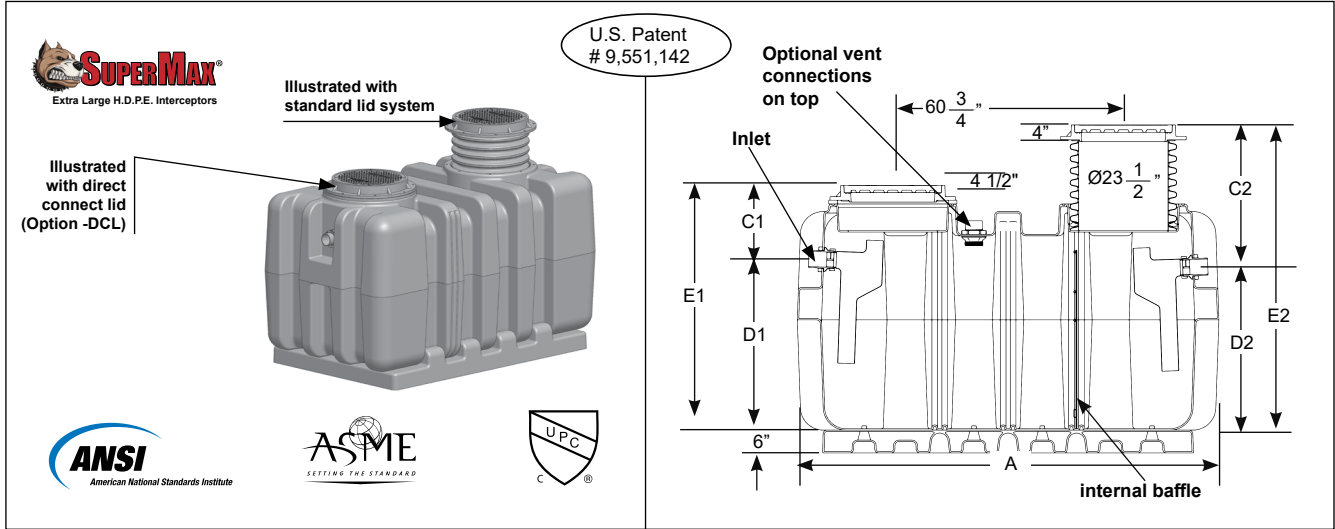
SM-MI-G-PL-1000

SUPERMAX® GRAVITY GREASE INTERCEPTOR - 1000 GALLONS LIQUID HOLDING CAPACITY



Specification: MIFAB® SM-MI-G-PL-1000 gravity grease interceptor with 1000 U.S. gallons of liquid holding capacity has a limited lifetime warranty and is made in the U.S.A. out of seamless, rotationally molded High Density Polyethylene with 3/8" uniform wall thickness. Interceptor is designed for above or below ground installation and includes an adjustable lid system, sample port access, internal baffle, deep seal trap covered by lid, internal air relief by-pass, stainless steel calibrated orifice plate (internal flow control), base for support and floor level installation and 4" no hub inlet and outlet connections. Steel encased composite lids provide a water / gas tight seal and have a minimum of 20,000 LB. load capacity - in accordance with the loading requirements of AASHTO H20. The high density polyethylene material is PE 3135 from Dow 9.39 with a density of 0.939 g/cm3. Note that the interceptor is tested and certified to the ASME A112.14.3, CSA B481 and ANSI Z1001 Standards and listed with I.A.P.M.O.

Function: Used in in restaurants, kitchens, institutions, industrial facilities such as food processing and packaging plants and other types of food processing areas where fat, oil and grease (FOG) drains with the waste water.



Model	Liquid Holding Capacity	Flow Rate (GPM)	A	Width B	C' Dim.	C² Dim.	D' Dim.	D² Dim.	E' Dim.	E² Dim.	F Connection Size	Shipping Weight (Lbs.)
SM-MI-G-PL-1000	1000 U.S. Gallons 3,790 litres	250	111" 2820mm	64" 1630mm	18.75" 476mm	37.25" 946mm	45.25" 1149mm	43.25" 1099mm	64" 1626mm	61.50" 1562mm	4" 102mm	1,075

Suffix	Description
-AK	High water anchor kit (set of two)
-C	Lid extension (specify dimension required)
-COA	Coalescer Pack
-DI	Ductile iron lid & collar
-DP	Dosing pump
-EP	Enzyme port
-FL-C	Membrane clamp kit
-F6	6" No Hub Inlet / Outlet connection (flow rate of 250 GPM with 6" connections)
-HLA	High level alarm and float switch (to be installed on site)
-LHSI	4" no hub inlet on left hand side
-LHSO	4" no hub outlet on left hand side

-POK	Pump Out Kit (suction pipe to go into -RPO bulkhead fitting and fitting with 3" cam connection to connect to outside hose)
-RHSI	4" no hub inlet on right hand side
-RHSO	4" no hub outlet on right hand side
-RPO	Remote Pump Out (4" bulkhead fitting connection only)
-SB	Sediment bucket
-SP	External Sample Port (for existing construction. Inlet and Outlet on the same level)
-SP-OF	External Sample Port (for new construction. Inlet higher than the outlet).
-SST	Fire resistant fabricated stainless steel interceptor
-ST	Fire resistant fabricated 10 gauge powder epoxy coated steel interceptor
-V	Vent connection - 4" (specify number required and location - side and / or top)

CALIFORNIA PROPOSITION 65 WARNING. This product contains chemicals known to the State of California to cause cancer and birth defects or other reproductive harm.

Job Name: _____ Page No: _____
 Section No: _____ Contractor: _____
 Schedule No: _____ Purchase Order No: _____