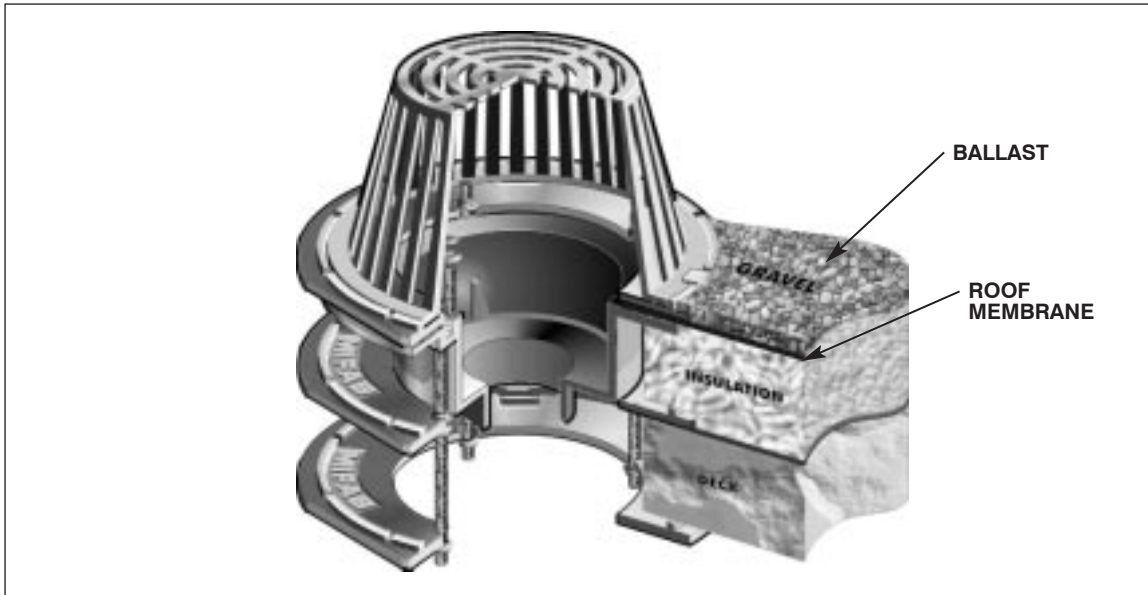


MIFAB Typical Roof Drain Installations

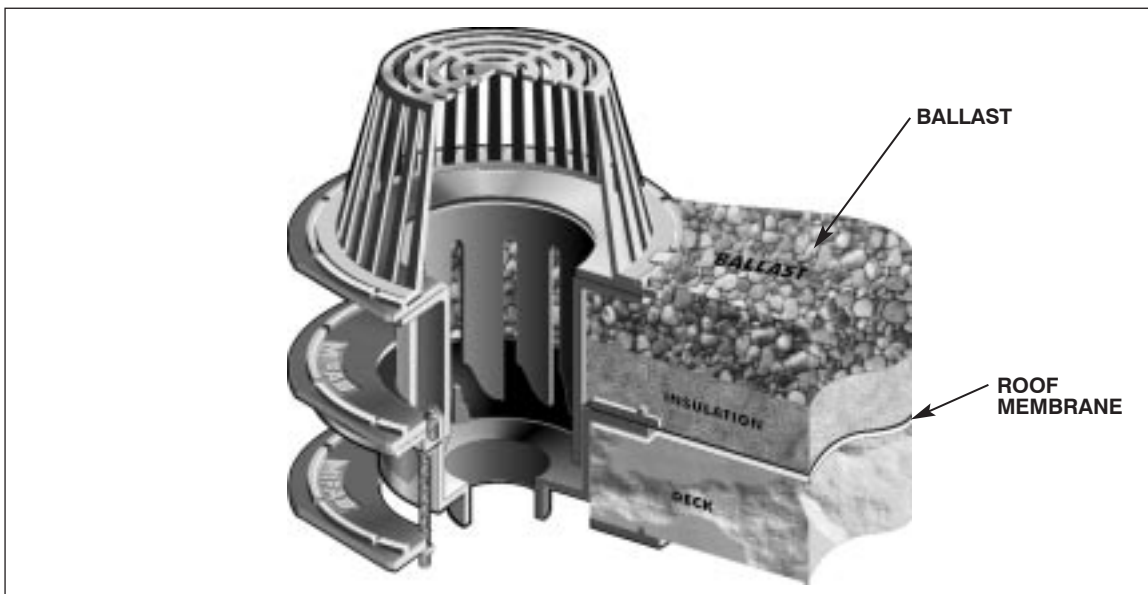
R1200-EU

Roof Drain with adjustable deck flange for varying thicknesses of insulation. Type of roof illustrated would have the waterproofing membrane above the insulation and below the ballast. (See Page R13)



R1200-HC

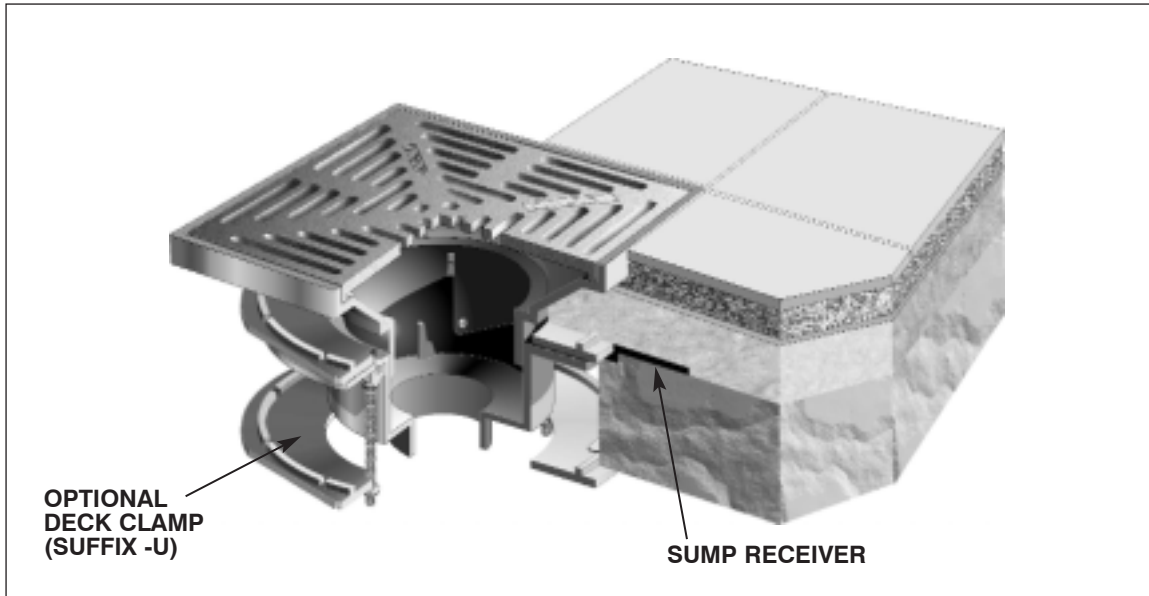
Roof Drain with adjustable cast iron ballast and insulation guard. Used with Insulated Roof Membrane Assembly (IRMA) type roofs. An adjustable slotted extension serves to retain ballast on a flat roof **and slots are sized to pass fines**. (See Page R16)



MIFAB Typical Roof Drain Installations (Cont'd)

R1200-P-BU

Promenade Roof Drain with sump receiver and adjustable collar to easily position grate to roof surface elevation. Type of roof illustrated shows pedestrian tile roof deck above an insulated precast concrete slab. (See Page R6 or R18)



R1300 or R1320

Scupper Drain with flat or angle grate and flashing clamp grate frame. For installation at the base of parapets. Specify (-1) for Nickel Bronze or (-50) for cast iron. Available with 45° or 90° outlet. (See Page R35 to R38)

