

MIFAB® has just the Trench Drain for your application:

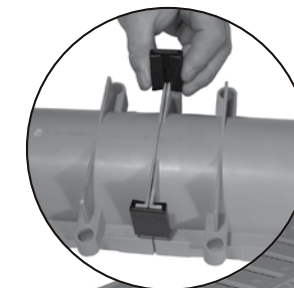
- 6" and 12" Wide Trench Drain
- Shallow Depth Trench Drain, 2-7/8"
- Parking Garage, Precast Slab
- Frame and Grate
- Catch Basin
- FILCOTEN, Fibre-reinforced Concrete Trench
- Parking Garage, Ground Level
- Utility

MIFAB® – Stainless Steel Trench Drains & Accessories

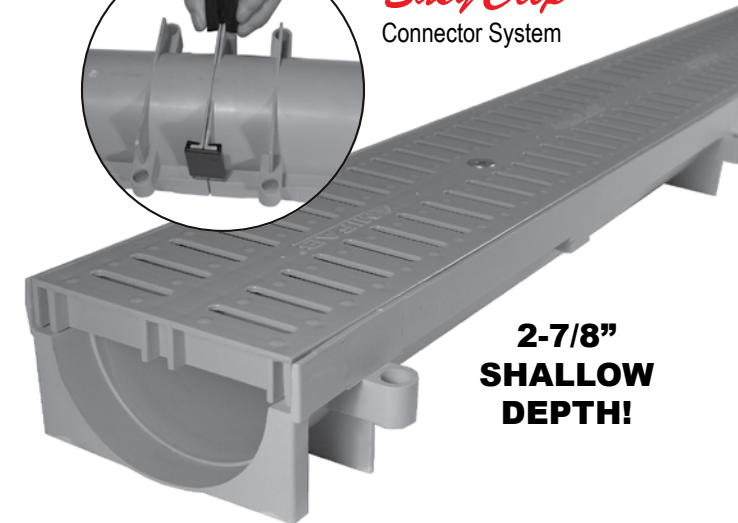


Shallow Depth Trench Drain System

NEW CONTRACTOR KIT



Easy Clip®
Connector System



2-7/8" SHALLOW DEPTH!



Scan our Slim Trench Installation Guide to your mobile device.



Scan our full Trench Drain Catalog to your mobile device.



Scan our full Stainless Steel Trench Drain Catalog to your mobile device.

For pool, residential, kitchen and sidewalk areas.

MIFAB Inc. 1321 West 119th Street • Chicago, IL 60643-5109
Toll Free 1-800-466-2736, Fax 1-773-341-3049
Canada Toll Free 1-800-387-3880
sales@mifab.com • www.mifab.com

LIT-046TF



Drainage Solution

MIFAB's Shallow Depth Trench Drain system is the drainage solution for removal of standing water.

Our new **Slim Trench® Contractor Kit** is the perfect answer for dealing with residential drainage issues by pools, garages, sidewalk and kitchen areas.

Each **Contractor Kit** comes with enough parts for several configurations and includes:

Qty	Description / Part Number
3	Assembled Trench Drain
3	Bottom Outlet, T300-PBO
6	End Cap, T300-PEC
3	End Outlet, T300-PEO2
12	Easy Clip®, T300-CLIP

All Contractor Kit accessories are located in bottom of carrying case



Part No. T300-KIT

Features

- Non-sloped, shallow depth (2-7/8") Trench Drain System with Easy Clip® attachment connectors.
- 6" wide, 39.4" long, 2-7/8" deep
- Lightweight and chemical resistant polypropylene body and grate.
- Bottom and end outlets available in 2" no hub outlet connections.
- Class A standard in kits. B and C grates with H-20 and/or ADA compliance are also available.

Easy Installation

Installation is a snap using our Easy Clip® connectors.

Trench drain sections fit together easily. A waterproof caulk is recommended for joints.

Use a hole saw in trench drain where bottom outlets are needed. Secure bottom outlets to trench drain using self-tapping screws.

Installation instructions and video are located on our website. Use QR code at back of brochure to download.

Accessories



T300-PBO

2" No Nub Bottom Outlet



T300-PEC

Closed End Cap



T300-PEO2

2" No Nub End Outlet



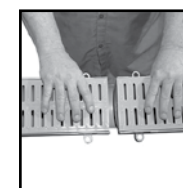
T300-CLIP

Easy Clip® Connector

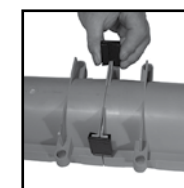


Where to Buy

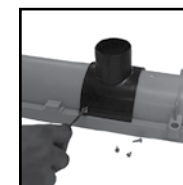
Look for our new POP display at your favorite plumbing wholesaler.



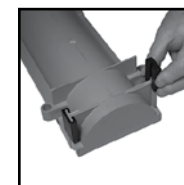
Fit trench drain sections together. Secure with outdoor rated caulk.



Add MIFAB® Easy Clip® Connectors.



Use self-tapping screws to secure bottom outlet to trench drain.



Secure end outlets and end caps using MIFAB® Easy Clip® Connectors.