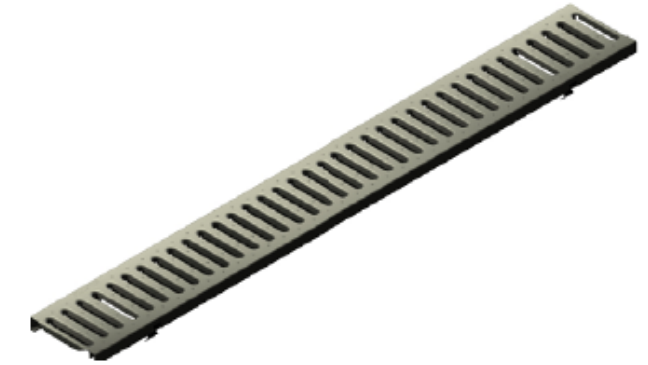
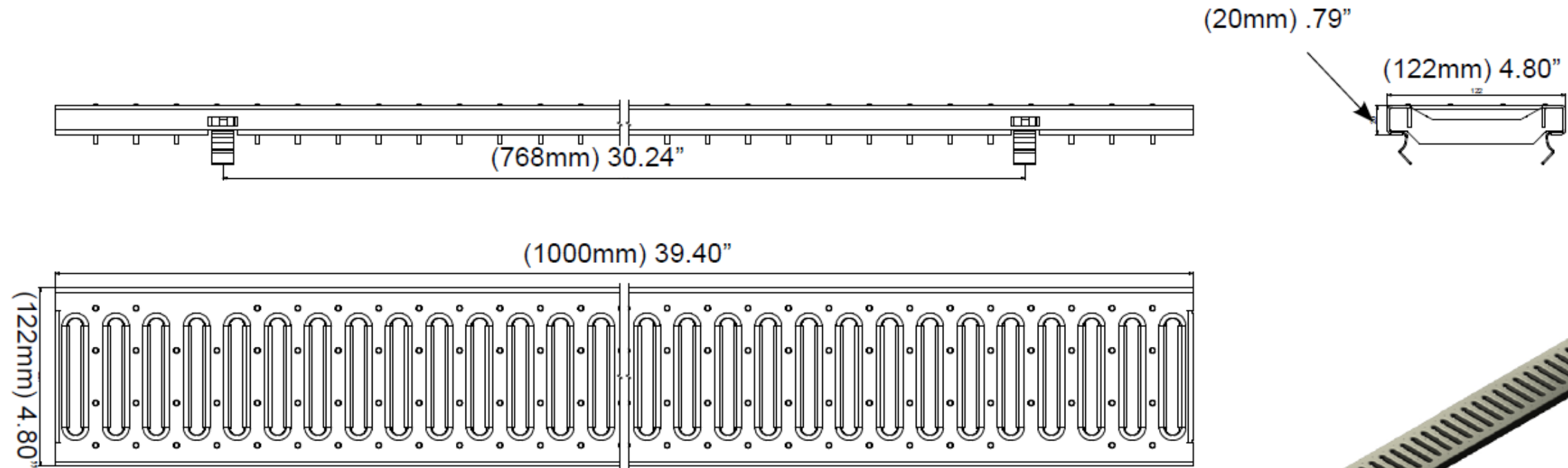


| REVISIONS |     |             |      |          |
|-----------|-----|-------------|------|----------|
| ZONE      | REV | DESCRIPTION | DATE | APPROVED |
| ALL       | 0   | RELEASE     |      |          |



TOLERANCES  
(UNLESS OTHERWISE SPECIFIED)

.X ± .03  
.XX ± .015  
.XXX ± .010  
∠ ± 1°

TYP. DRAFT ANGLE = 2°



39.40" LONG, SLOTTED GRATE  
HEAVY DUTY (LOAD CLASS C)

|             |               |                          |                          |          |
|-------------|---------------|--------------------------|--------------------------|----------|
| DRAWN BY    | SIZE<br>B     | COLOR/FINISH<br>----     | DWG NO.<br>T1500-PG-FSSC | REV<br>0 |
| APPROVED BY | SCALE<br>---- | MAT'L<br>STAINLESS STEEL | SHEET 1 of 1             |          |

Job or File name

Date sent

Sent to (Name)