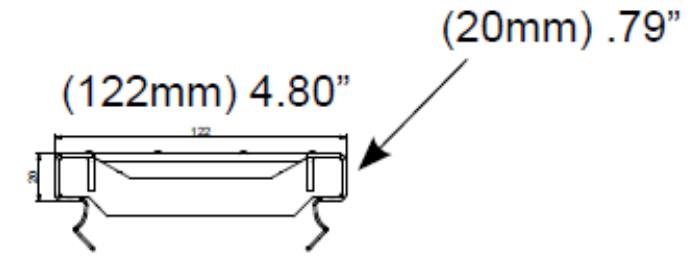
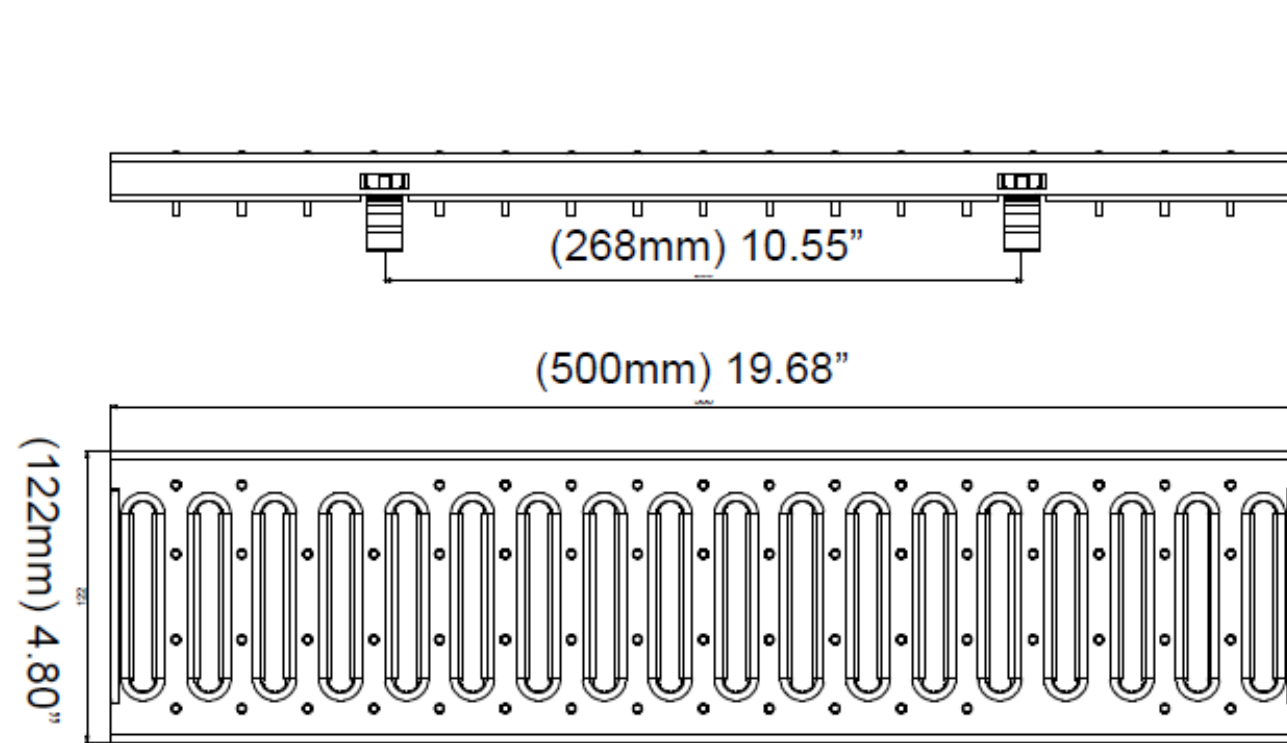


REVISIONS				
ZONE	REV	DESCRIPTION	DATE	APPROVED
ALL	0	RELEASE		



TOLERANCES
(UNLESS OTHERWISE SPECIFIED)

.X ± .03
.XX ± .015
.XXX ± .010
∠ ± 1°

TYP. DRAFT ANGLE = 2°



19.68" LONG SLOTTED GRATE
HEAVY DUTY (LOAD CLASS C)

DRAWN BY	SIZE B	COLOR/FINISH ----	DWG NO. T1500-PG-FSC-500	REV 0
APPROVED BY	SCALE ----	MAT'L GALV. STEEL	SHEET 1 of 1	

Job or File name

Date sent

Sent to (Name)