

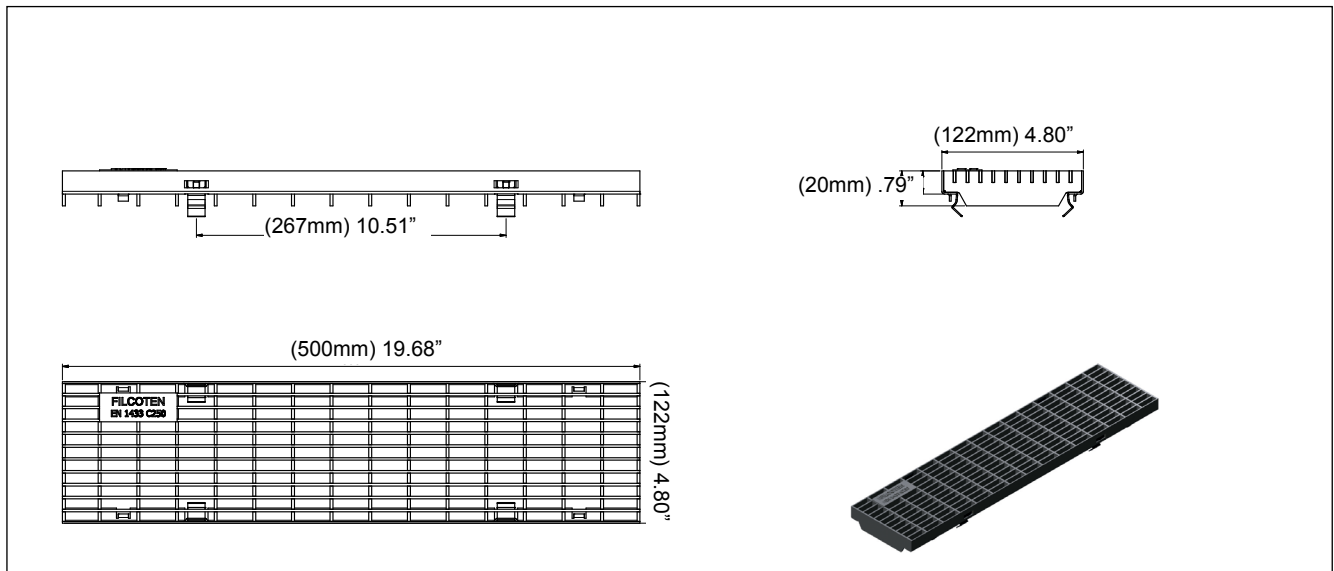
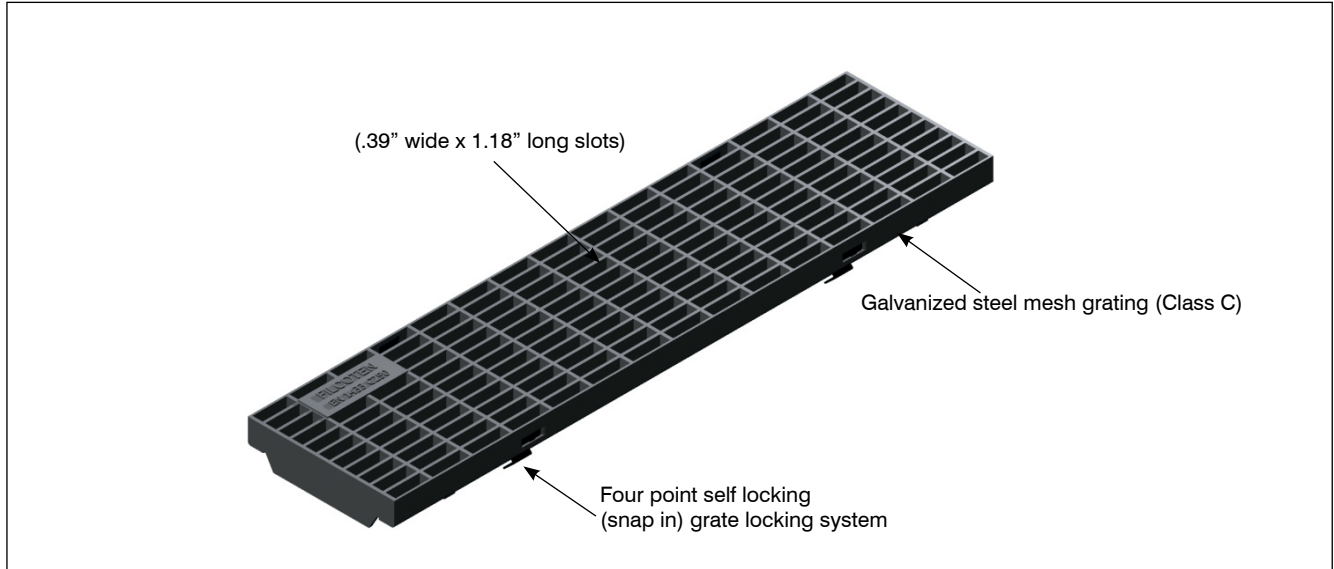
Location: \_\_\_\_\_



**T1500-PG-FMC-500**

**6" WIDE, 19.68" LONG, GALVANIZED STEEL,  
FABRICATED RE-INFORCED (LOAD CLASS C) GRATE**

**Specification:** MIFAB T1500-PG-FMC-500, hot dip galvanized steel, fabricated reinforced ADA mesh grating (Load Class C), grate is 4.80" wide x 19.68" long, weighing 2.45 lbs. per linear foot. The grate has .39" wide x 1.18" long slots and has a free open area of 141 square inches and is H-20 and FAA load rated. The grate is secured to the body with a four point self-locking (snap in) system.



**SUFFIX**

-6

**OPTIONAL VARIATIONS**

Vandal Proof grate lockdown (Stainless Steel)

Load Class C- Heavy Duty, DIN 19580, 56,000 lbs. 1.162 psi. For commercial pneumatic tire traffic patterns and tractor trailers.

Job Name: \_\_\_\_\_  
Section No: \_\_\_\_\_  
Schedule No: \_\_\_\_\_

Page No: \_\_\_\_\_  
Contract: \_\_\_\_\_  
Purchase Order No: \_\_\_\_\_

MIFAB reserves the right to make changes in material and design without formal notice or obligation.

USA: 1-800-465-2736 www.mifab.com CAN: 1-800-387-3880

2014-09-02