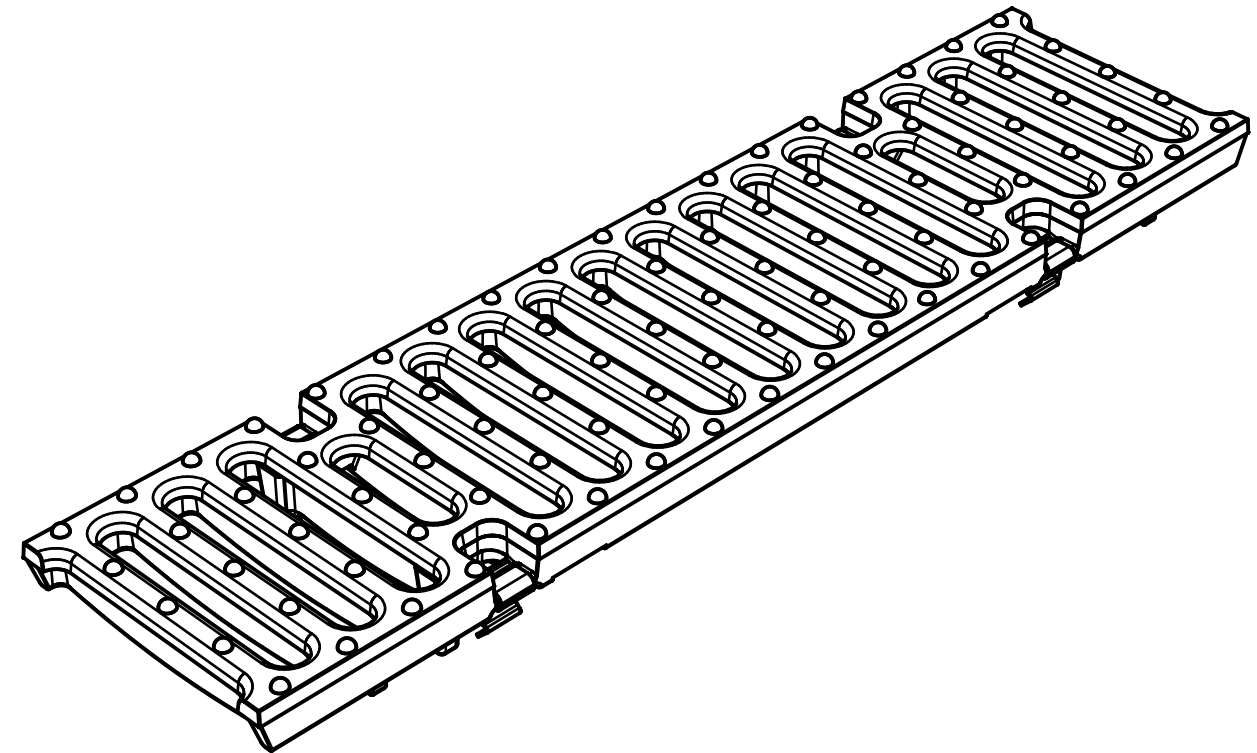
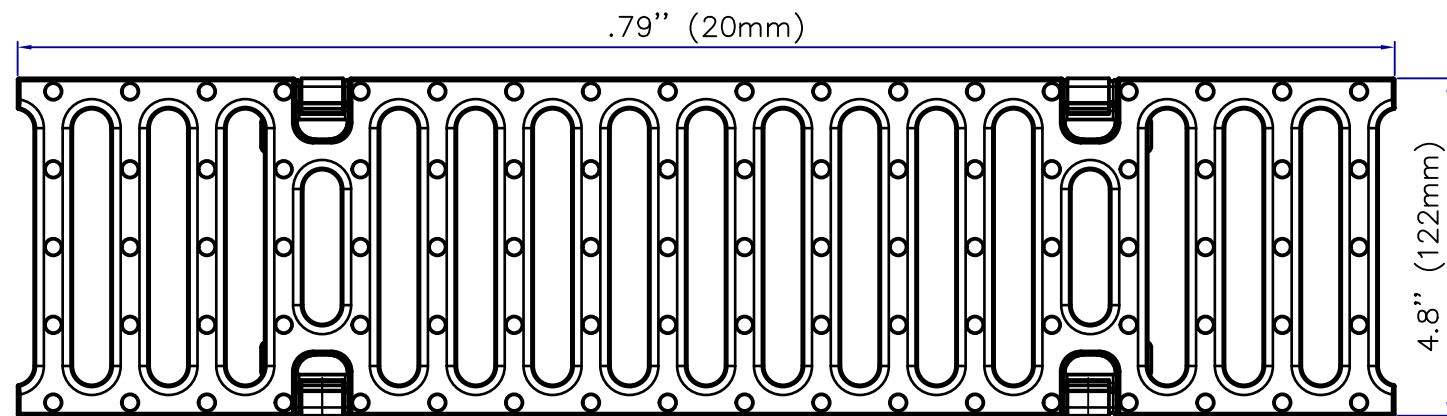
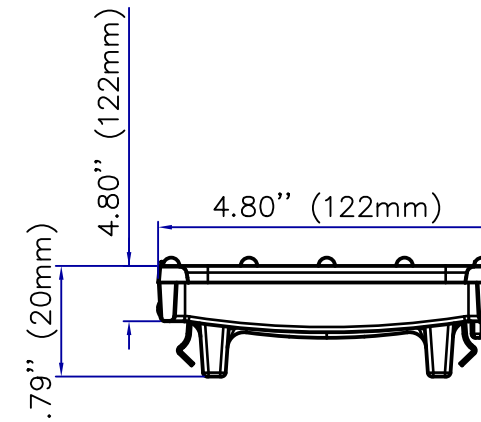
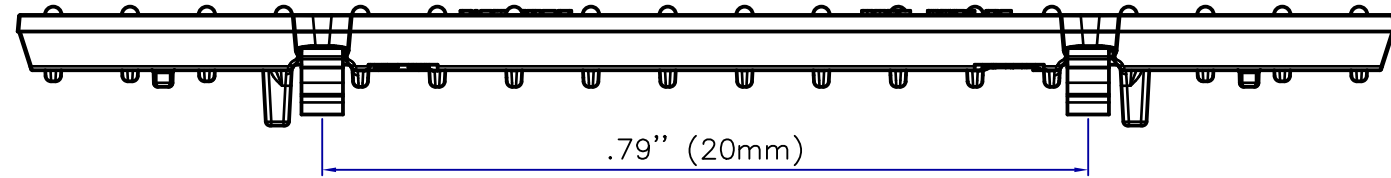


REVISIONS				
ZONE	REV	DESCRIPTION	DATE	APPROVED
ALL	0	RELEASE		



TOLERANCES
(UNLESS OTHERWISE SPECIFIED)

.X ± .03
.XX ± .015
.XXX ± .010
∠ ± 1°

TYP. DRAFT ANGLE = 2°



GRATE, EXTRA HEAVY
DUTY (LOAD CLASS E)

DRAWN BY	SIZE	COLOR/FINISH	DWG NO.	REV
	B	----	T1500-PG-4	0
APPROVED BY	SCALE	MAT'L	SHEET 1 of 1	
	----	DUCTILE IRON		