

Location: _____

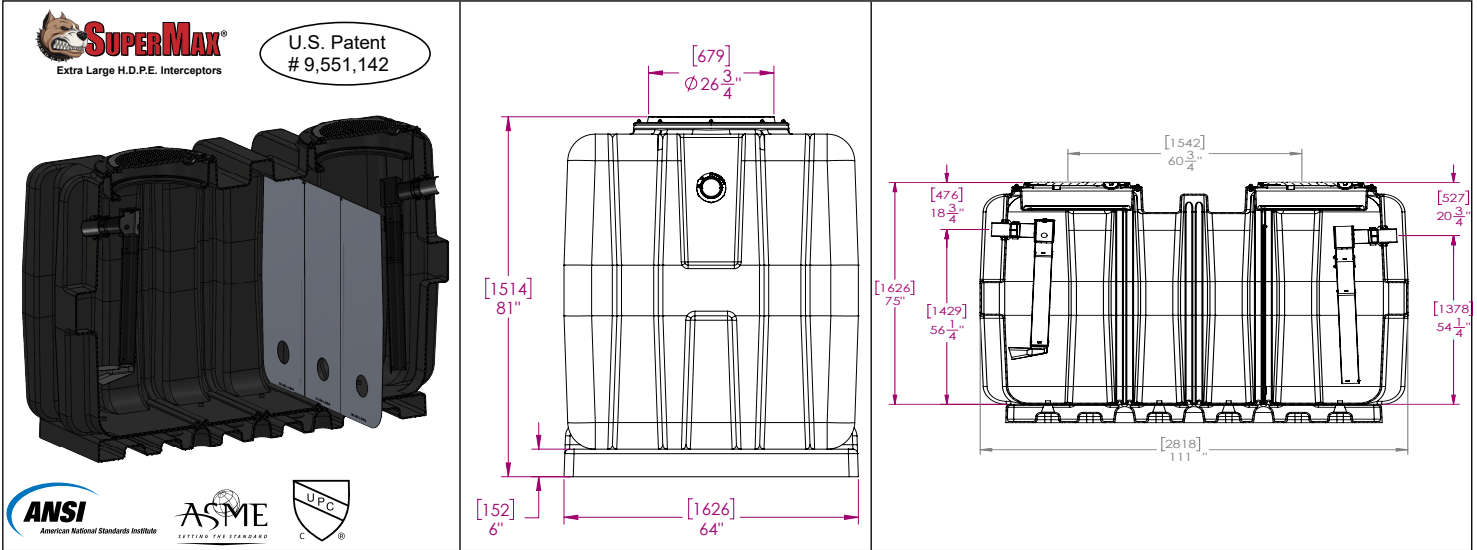


SUPER-1300

SUPERMAX® GRAVITY GREASE INTERCEPTOR - 1300 GALLONS LIQUID HOLDING CAPACITY

Specification: MIFAB® SUPER-1300 gravity grease interceptor with 1300 U.S. gallons of liquid holding capacity has a limited lifetime warranty and is made in the U.S.A. out of seamless, rotationally molded High Density Polyethylene with 3/8" uniform wall thickness. Interceptor is designed for above or below ground installation and includes extension pipe gasket for ADS 24N12 (pipe not included) for the adjustable lid system, sample port access, internal baffle, deep seal trap covered by lid, internal air relief by-pass, stainless steel calibrated orifice plate (internal flow control), base for support and floor level installation and 4" no hub inlet and outlet connections. Composite lids provide a water / gas tight seal and have a minimum of 20,000 LB. load capacity - in accordance with the loading requirements of AASHTO H20. The high density polyethylene material is PE 3135 from Dow 9.39 with a density of 0.939 g/cm3. Note that the interceptor is tested and certified to the ASME A112.14.3, CSA B481 and ANSI Z1001 Standards and listed with I.A.P.M.O.

Function: Used in restaurants, kitchens, institutions, industrial facilities such as food processing and packaging plants and other types of food processing areas where fat, oil and grease (FOG) drains with the waste water. All SuperMax gravity interceptors can withstand a maximum operating temperature: 150° F continuous.



Model	Liquid Holding Capacity (Gallons / Cu. Ft.)	Sediment Capacity (Gallons)	Flow Rate (GPM)	Connection Size	Shipping Weight (Lbs.)
SUPER-1300	1,312 / 175	131	250	4" / 102mm	1,150

SUFFIX	OPTIONAL VARIATIONS	PART NO.
-AK	Anchor kit for all SuperMax interceptors	SUPER-*-AK-SET (* = Specify Size)
-C	Lid Extension - up to 44" high - (2 pieces included)	SUPER-EXT-44
-C	Lid Extension - up to 72" high - (2 pieces included)	SUPER-EXT-72
-C	Lid Extension - up to 94" high - (2 pieces included)	SUPER-EXT-94
-DI	Ductile iron lid and collar - for all SuperMax interceptors (2 pcs. Included)	SM-MI-G-PL-LID-DI
-DP	Dosing Pump for Lil Max, Big Max, SuperMax	XL-MI-PL-DP
-EP	Enzyme port for Lil Max, Big Max, SuperMax	XL-MI-PL-EP
-FL-C	Membrane clamp kit - for all SuperMax interceptors (2 pcs. Included)	SUPER-FLM (2 pcs. Included)
-F6	6" no hub inlet and outlet (2 pcs. Included) (flow rate of 550 GPM with 6" connections)	MI-G-PL-PF6
-F8	8" no hub inlet and outlet (2 pcs. Included) (flow rate of 950 GPM with 8" connections) (not available for side inlets / outlets)	MI-G-PL-PF8
-HLA	High level alarm and float switch (to be installed on site) (for Lil Max, Big Max, SuperMax)	XL-MI-PL-HLA
-LHSI	No hub inlet on left hand side (not available with sediment bucket) (for Lil Max, Big Max, SuperMax)	MI-G-PL-PF4
-LHSO	No hub outlet on left hand side (not available with sediment bucket) (for Lil Max, Big Max, SuperMax)	MI-G-PL-PF4
-POK	Remote pump out kit	SUPER-MAX-POK
-RHSI	No hub inlet on right hand side (not available with sediment bucket) (for Lil Max, Big Max, SuperMax)	MI-G-PL-PF4
-RHSO	No hub outlet on right hand side (not available with sediment bucket) (for Lil Max, Big Max, SuperMax)	MI-G-PL-PF4
-RPO	4" Remote pump outlet connections on top of interceptor - specify location and number required	SUPER-MAX-RPO
-SB	Sediment bucket - for all SuperMax interceptors	SUPER-*-PSB (* = Specify Size)
-SP	External sampling port - inline, high connections	SUPER-SP
-SP-L	External sampling port - inline, low connections	SUPER-SP-L
-SP-OFF	External sampling port - offset	SUPER-SP-OFF
-SST	Fire resistant fabricated stainless steel interceptor	Contact MIFAB®
-ST	Fire resistant fabricated 10 gauge powder epoxy coated steel interceptor	Contact MIFAB®
-T	Female threaded connections - 4" (2 pcs. Included)	MI-G-PL-PF4T
-V	No hub vent connection - 4" - (specify number required and location - side and / or top) (2", 3" available - Specify -V2, -V3 - same price)	MI-G-PL-PF4

CALIFORNIA PROPOSITION 65 WARNING. This product contains chemicals known to the State of California to cause cancer and birth defects or other reproductive harm.

Job Name: _____
 Section No: _____
 Schedule No: _____

Page No: _____
 Contractor: _____
 Purchase Order No: _____