

Location: \_\_\_\_\_

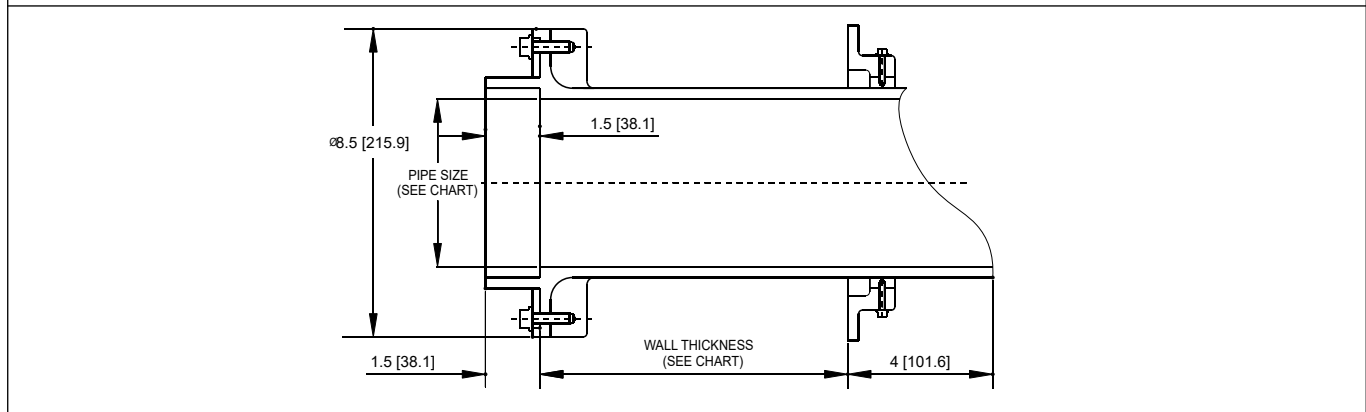
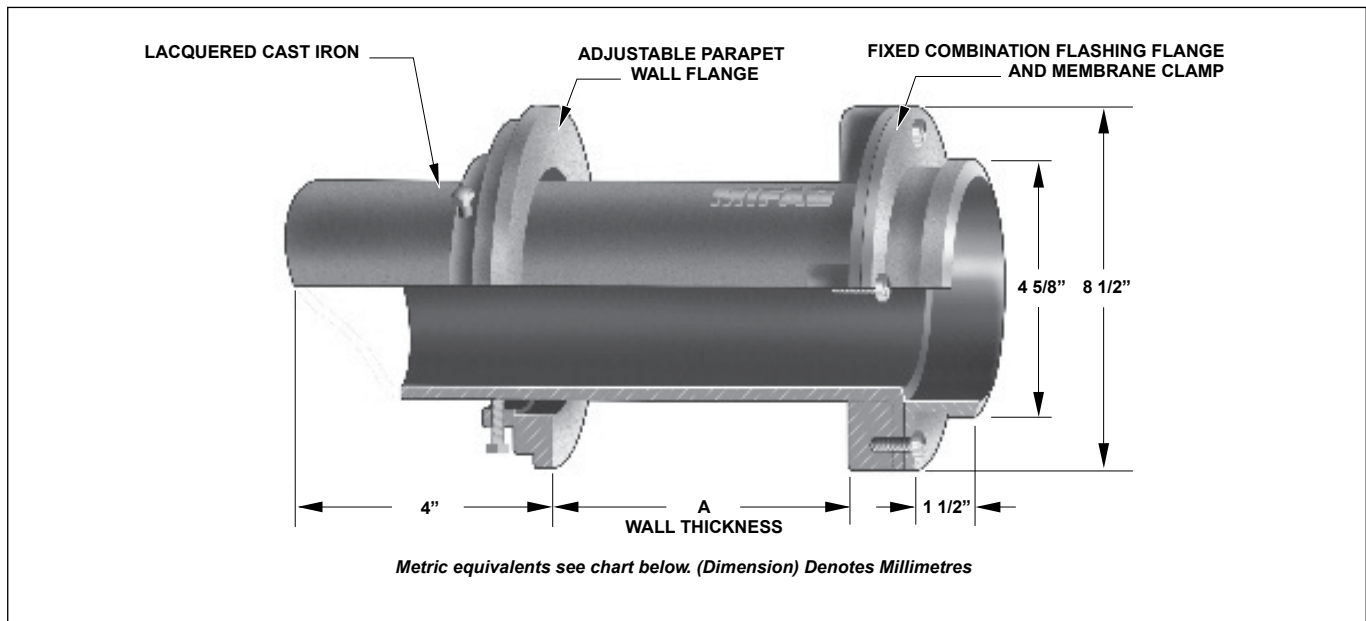


**R1640**

**PARAPET SCUPPER SLEEVE**

**Specification:** MIFAB® Series R1640 parapet scupper sleeve with lacquered cast iron body, fixed combination flashing flange and membrane clamp and adjustable parapet wall flange.

**Function:** Used in roofs to drain rainwater through parapet walls.



MODEL NO.	NO HUB PIPE SIZE	WALL THICKNESS (A)
R1640-8	4" (102)	8" (203)
R1640-11	4" (102)	11" (279)
R1640-13	4" (102)	13" (330)
R1640-17	4" (102)	17" (432)
R1640-22	4" (102)	22" (559)

SUFFIX	OPTIONAL VARIATIONS
-13	All galvanized body
-BA	Buy America Act compliant product
-PA	Pennsylvania Steel Act compliant product

CALIFORNIA PROPOSITION 65 WARNING. This product contains chemicals known to the State of California to cause cancer and birth defects or other reproductive harm.

Job Name: \_\_\_\_\_ Page No: \_\_\_\_\_  
 Section No: \_\_\_\_\_ Contractor: \_\_\_\_\_  
 Schedule No: \_\_\_\_\_ Purchase Order No: \_\_\_\_\_