

Location: _____

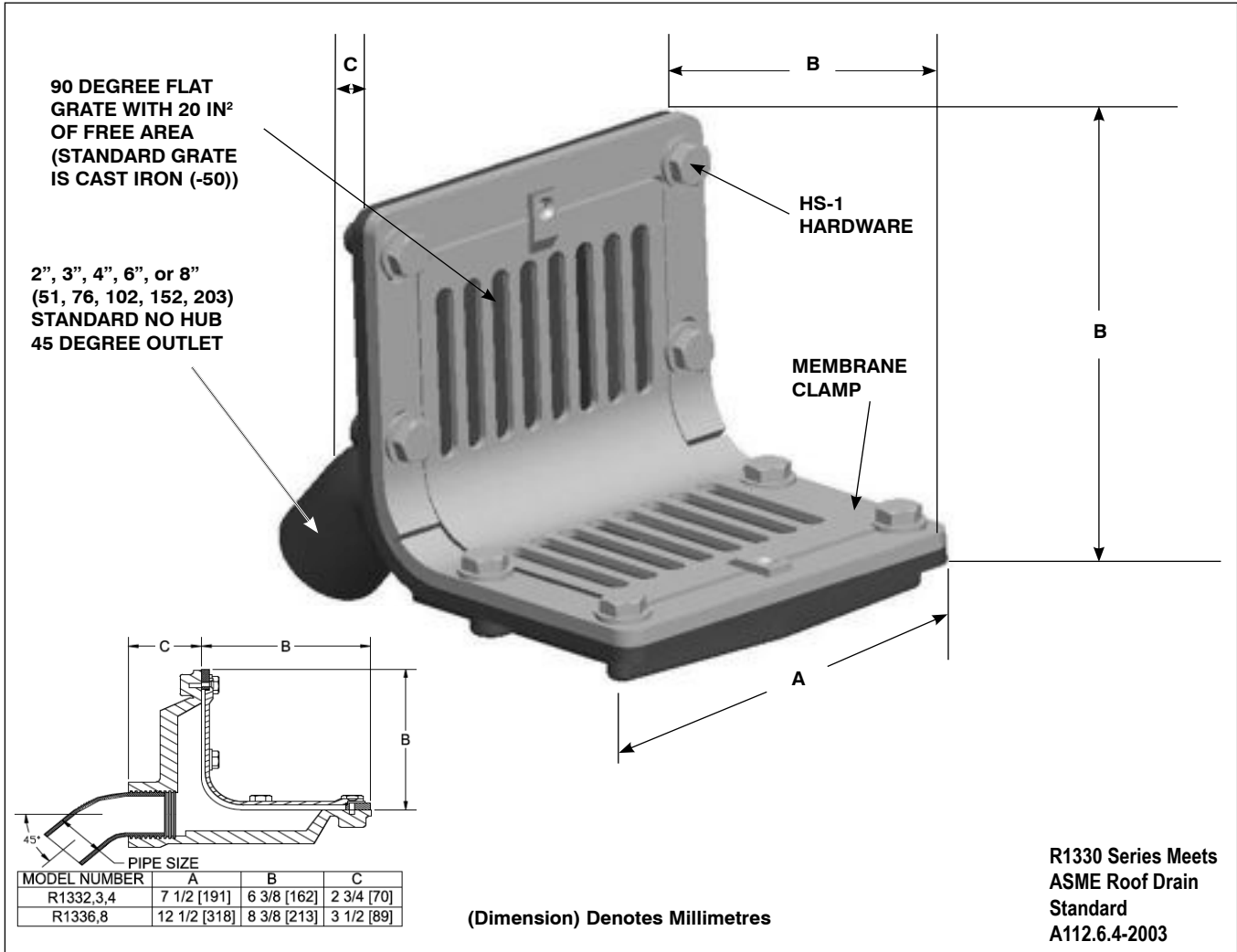


R1330

**SCUPPER DRAIN WITH FLAT GRATE
AND 45 DEGREE NO HUB OUTLET**

Specification: MIFAB® R1330 lacquered cast iron scupper drain with 45 degree no hub outlet, membrane clamp and 90 degree grate (specify cast iron (Suffix -50) or nickel bronze (Suffix -1)).

Function: To provide drainage from a roof surface where the roof and parapet meet. The flush grate prevents obstruction to traffic. Reverse outlet for 90 degree outlet connection (R1320).



SUFFIX	OPTIONAL VARIATIONS
-1	Nickel bronze frame and grate
-6	Vandal proof grate
-11	Acid resistant epoxy coating
-13	All Galvanized
-50	Cast iron frame and grate
-83	Stainless steel mesh screen over dome
-BA	Buy America Act compliant product
-PA	Pennsylvania Steel Act compliant product
Standard	No Hub outlet (2", 3", 4", 6" or 8")

CALIFORNIA PROPOSITION 65 WARNING. This product contains chemicals known to the State of California to cause cancer and birth defects or other reproductive harm.

Job Name: _____ Page No: _____

Section No: _____ Contractor: _____

Schedule No: _____ Purchase Order No: _____