

Location: \_\_\_\_\_



**R1270-RG**

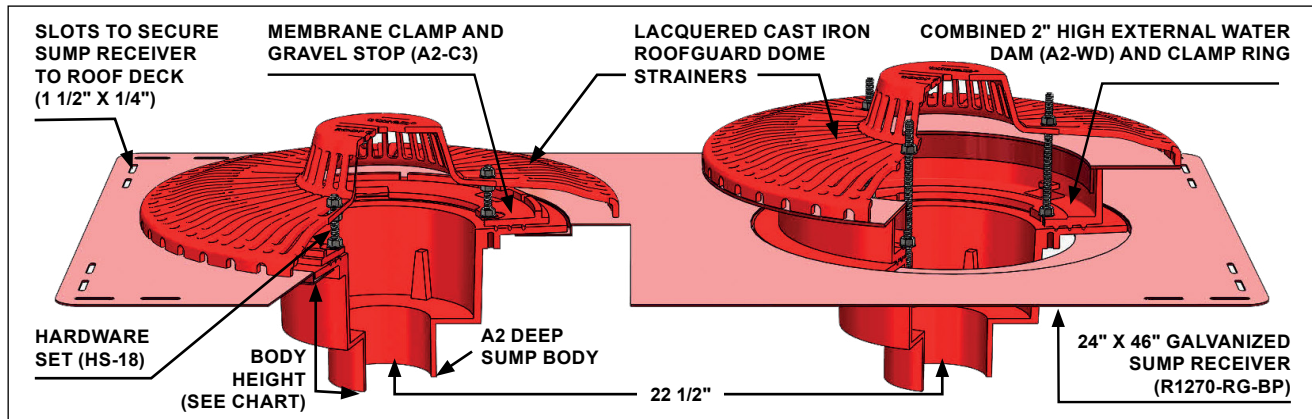


**COMBINED LARGE SUMP ROOF DRAIN WITH  
SECONDARY OVERFLOW AND 19" DIAMETER  
CAST IRON ROOFGUARD**

**Specification:** MIFAB® Series R1270-RG combined large sump roof drain and secondary overflow system; consisting of 24" x 46" galvanized steel sump receiver, two lacquered cast iron bodies with 15" diameter anchor flange, one cast iron waterproofing membrane clamp ring with integral gravel stop and a second 2" high, cast iron external combined water dam and waterproofing membrane clamp ring. Complete with two 19" diameter cast iron RoofGuard dome strainers with horizontal and perimeter drainage slots to prevent clogging of the roof domes.

Patent  
# D803992

**Function:** Used in any type of conventional or flat roofs where a safety overflow, which receives water only when the accumulation is greater than the height of the 2" water dam, is required to be located beside a standard (or primary) roof drain. Patented design significantly increases the surface area making the drain virtually uncloggable. The greatly increased surface area and perimeter drainage eliminates leaks and standing water on the roof. The underdeck clamp rings are eliminated with this product because the roof drain bodies are bolted to the underside of the sump receiver and is therefore fixed. Three pieces of 5/16" x 3/4" hardware bolts and washers are provided to secure the MIFAB A2 bodies to the underside of the R1270-BP.



PIPE SIZE	BODY HEIGHT				
	NO HUB (STANDARD)	PUSH ON (P)	THREADED (T)	INSIDE CAULK (X)	PVC/ABS (-30)/(-31)
2" (51)	5 3/4" (146)	5 1/2" (140)	6 1/2" (165)	6 1/2" (165)	6 3/4" (171)
3" (76)	5 3/4" (146)	5 1/2" (140)	6 5/8" (168)	6 1/2" (165)	7 1/2" (191)
4" (102)	5 3/4" (146)	5 1/2" (140)	5 1/2" (140)	6 1/2" (165)	7 5/8" (194)
5" (127)	5 3/4" (146)	—	6 5/8" (168)	6 3/4" (171)	—
6" (152)	7 1/4" (184)	5 5/8" (143)	5 5/8" (143)	6 1/2" (165)	—
8" (203)	5 7/8" (149)	—	—	(See note *)	—

SUFFIX	OPTIONAL VARIATIONS
-6	Vandal proof domes (metal domes only) (T-20 Torx & pin)
-11	Acid resistant epoxy coating
-12	Galvanized metal domes
-12A	Galvanized bodies and membrane clamps
-12B	Galvanized metal domes and membrane clamps
-13	Galvanized bodies, membrane clamps and domes
-28	Stainless steel bodies (Type 304) (2", 3", 4")
-30	PVC socket connection bodies (2", 3", 4")
-31	ABS socket connection bodies (2", 3", 4")
-83	Stainless steel mesh screen over domes
-90	Threaded side outlets (2", 3", 4", 6")
-90NH	No Hub side outlets (cast iron only) (2", 3", 4")
(Standard)	No hub outlets

SUFFIX	OPTIONAL VARIATIONS
-BA	Minimum 51% material cost made in the USA
-C	Secondary clamps
-E	Adjustable extension
-EG	Galvanized Adjustable extension
P	Push on outlets
-PA	Pennsylvania Steel Act compliant product
T	Threaded outlets (except 8")
-U	Underdeck clamps
-U3	Underdeck clamps with cutaway side
-W-1	Water proofing flange
X	Inside caulk outlets
-XJ	Vertical expansion joints (see R1900)

CALIFORNIA PROPOSITION 65 WARNING. This product contains chemicals known to the State of California to cause cancer and birth defects or other reproductive harm.

Job Name: \_\_\_\_\_ Page No: \_\_\_\_\_  
 Section No: \_\_\_\_\_ Contractor: \_\_\_\_\_  
 Schedule No: \_\_\_\_\_ Purchase Order No: \_\_\_\_\_