

Location: _____



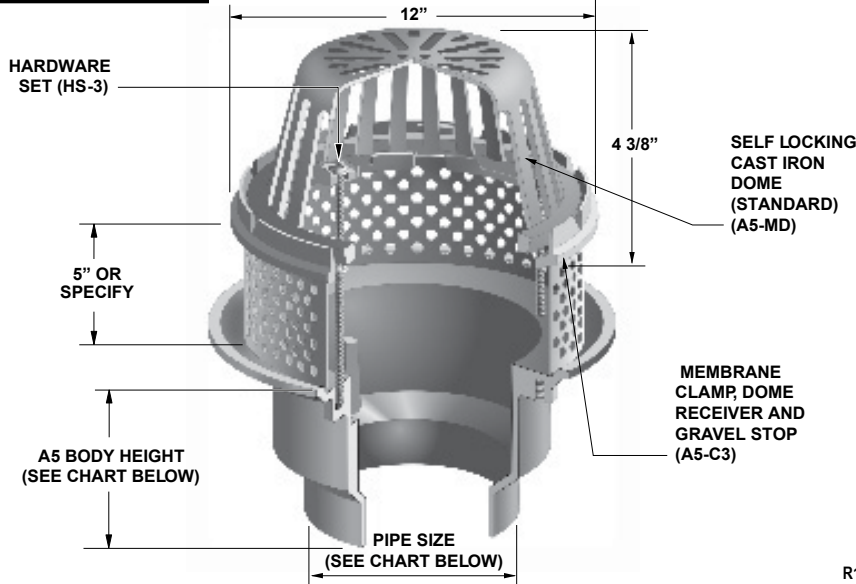
R1220-JC

MEDIUM SUMP ROOF DRAIN WITH STAINLESS STEEL 6" HIGH BALLAST GUARD FOR IRMA ROOFS

Specification: MIFAB® Series R1220-JC lacquered cast iron medium sump roof drain with 12" diameter anchor flange, large cast iron waterproofing membrane clamp ring with integral gravel stop, 5" (127) high stainless steel perforated ballast guard with 1/2" (13) round drainage openings and standard self-locking cast iron dome strainer with a free area of 71.50 square inches.

Function: For roofs that use the insulated membrane assembly method of waterproofing (I.R.M.A.). Typical when built-up felt and asphalt waterproofing is installed on top of the roof membrane for protection against the elements. The ballast guard is furnished to retain the crushed gravel used in flat roof construction. The slots allow for drainage without clogging. Large free area dome provides for efficient drainage of rainwater and prevents debris from entering the drain line. Extra wide anchor flange and membrane clamp provides for secure grip of membrane and roof flashing materials.

71.50 IN² FREE AREA DOME



Metric equivalents see chart below. (Dimension) Denotes Millimetres

Note: Deck opening - 10" (254) with sump receiver - 15 3/4" (400)

R1220-JC Series
Meets ASME
Roof drain standard
A112.6.4-2003

PARTS:



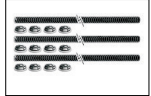
A5 BODY



A5-MD



A5-C3 (2 required)



HS-3



A5-BG

PIPE SIZE	BODY HEIGHT	
	NO HUB (STANDARD)	INSIDE CAULK (X)
2" (51)	6 1/2" (165)	6.575 (167)
3" (76)	6 1/2" (165)	6.575 (167)
4" (102)	6 1/2" (165)	6.575 (167)
6" (152)	6 1/2" (165)	6.575 (167)

SUFFIX	OPTIONAL VARIATIONS	SUFFIX	OPTIONAL VARIATIONS
-6	Vandal proof dome (metal dome only)	-G	Stainless steel ballast guard
-11	Acid resistant epoxy coating	-PA	Pennsylvania Steel Act compliant product
-12	Galvanized metal dome	-R	2" external water dam
-12A	Galvanized body and membrane clamp	-RG	RoofGuard non clogging cast iron dome
-13	Galvanized body, membrane clamp and dome	-U	Underdeck clamp
-83	Stainless steel mesh screen over dome	-U3	Underdeck clamp with cutaway side
-B	Sump receiver	-W-1	Water proofing flange
-BA	Buy America Act compliant product	X	Inside caulk outlet (2",3",4")
-EG	Galvanized Adjustable extension	-XJ	Vertical expansion joint (see R1900)
		-Z	Extended wide elastomeric flange (20" diameter x 1/4" thick)

CALIFORNIA PROPOSITION 65 WARNING. This product contains chemicals known to the State of California to cause cancer and birth defects or other reproductive harm.

Job Name: _____ Page No: _____
 Section No: _____ Contractor: _____
 Schedule No: _____ Purchase Order No: _____