

Location: _____



R1200-RG

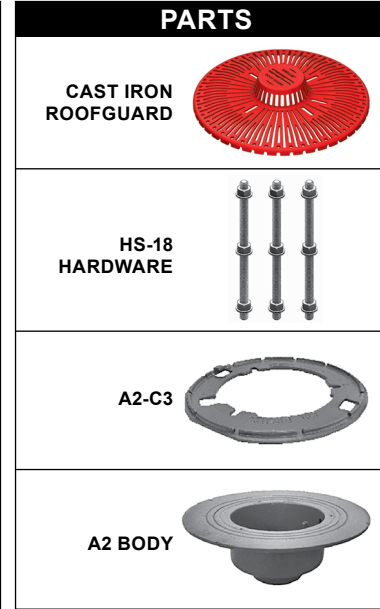
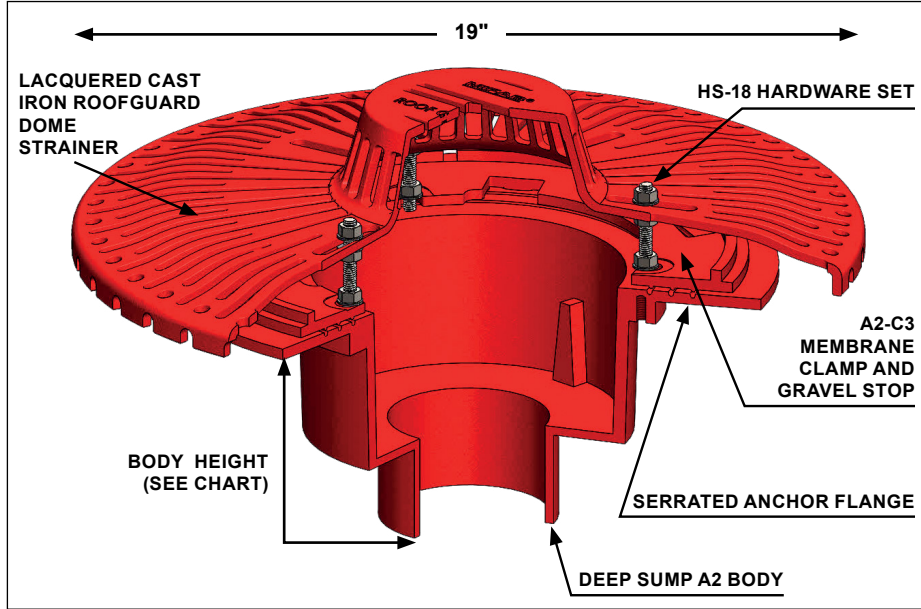


LARGE SUMP ROOF DRAIN WITH 19" DIAMETER CAST IRON ROOFGUARD

Specification: MIFAB® Series R1200-RG lacquered cast iron deep sump roof drain with 15" diameter anchor flange, large cast iron waterproofing membrane clamp ring with integral gravel stop, and 19" diameter cast iron RoofGuard dome strainer with horizontal and perimeter drainage slots to prevent clogging of the roof dome.

Patent # D803992

Function: Used in any type of roofs. Patented design significantly increases the surface area making the drain virtually uncloggable. The greatly increased surface area and perimeter drainage eliminates leaks and standing water on the roof.



PIPE SIZE	BODY HEIGHT				
	NO HUB (STANDARD)	PUSH ON (P)	THREADED (T)	INSIDE CAULK (X)	PVC/ABS (-30)/(-31)
2" (51)	5 3/4" (146)	5 1/2" (140)	6 1/2" (165)	6 1/2" (165)	6 3/4" (171)
3" (76)	5 3/4" (146)	5 1/2" (140)	6 5/8" (168)	6 1/2" (165)	7 1/2" (191)
4" (102)	5 3/4" (146)	5 1/2" (140)	5 1/2" (140)	6 1/2" (165)	7 5/8" (194)
5" (127)	5 3/4" (146)	—	6 5/8" (168)	6 3/4" (171)	—
6" (152)	7 1/4" (184)	5 5/8" (143)	5 5/8" (143)	6 1/2" (165)	—
8" (203)	5 7/8" (149)	—	—	(See note *)	—

SUFFIX	OPTIONAL VARIATIONS
-6	Vandal proof dome (metal dome only) (T-20 Torx & pin)
-11	Acid resistant epoxy coating
-12	Galvanized metal dome
-12A	Galvanized body and membrane clamp
-12B	Galvanized metal dome and membrane clamp
-13	Galvanized body, membrane clamp and dome
-28	Stainless steel body (Type 304) (2", 3", 4")
-30	PVC socket connection body
-31	ABS socket connection body
-83	Stainless steel mesh screen over dome
-90	Threaded side outlet (2",3",4")
-90NH	No Hub side outlet (cast iron only) (2", 3", 4")
(Standard)	No hub outlet
-B	Sump receiver
-BA	Buy America Act compliant product

SUFFIX	OPTIONAL VARIATIONS
-C	Secondary clamp
-E	Adjustable extension
-EG	Galvanized Adjustable extension
P	Push on outlet
-PA	Pennsylvania Steel Act compliant product
T	Threaded outlet (2",3",4")
-U	Underdeck clamp
-U3	Underdeck clamp with cutaway side
-V	Fixed Static Extension 2", 3", 4"
-VG	Galvanized fixed extension (2",3",4")
-W-1	Water proofing flange
-W1	Water proofing flange (A8-W-1)
X	Inside caulk outlet (2",3",4")
-XJ	Vertical expansion joint (see R1900)
-Z	Extended wide elastomeric flange

CALIFORNIA PROPOSITION 65 WARNING. This product contains chemicals known to the State of California to cause cancer and birth defects or other reproductive harm.

Job Name: _____ Page No: _____
 Section No: _____ Contractor: _____
 Schedule No: _____ Purchase Order No: _____