

Location: \_\_\_\_\_

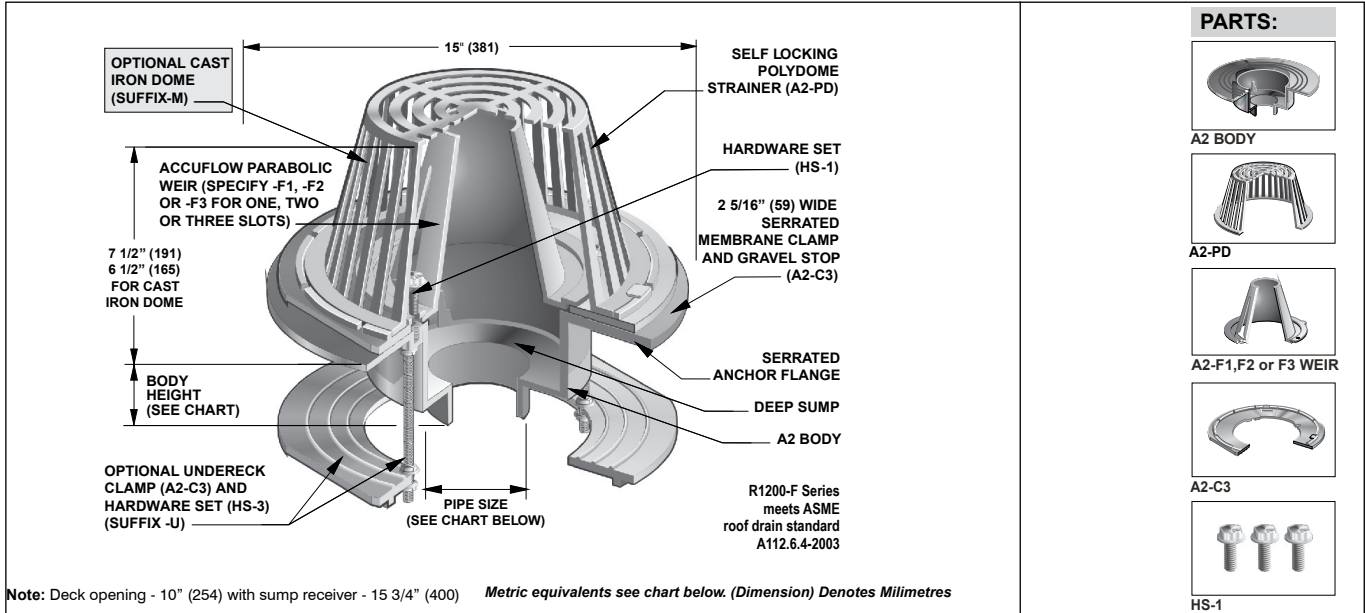


**R1200-F**

**LARGE SUMP FLOW CONTROLLED ROOF DRAIN WITH PARABOLIC WEIR**

**Specification:** MIFAB® Series R1200-F lacquered cast iron deep sump roof drain with anchor flange, large cast iron water proofing membrane clamp ring with integral gravel stop, accuflow parabolic weir (specify -F1, -F2, -F3 for one, two or three slots), and standard self-locking polydome strainer with a free area of 125 square inches.

**Function:** Used to control the flow of rain water off of the roof. Slotted weirs reduce the volume of water to the leader. Specify -F1, -F2 or -F3 for one, two or three slots to attain the required limitation of volume. Flow performance per weir is 10 GPM per inch of water per slot.



Note: Deck opening - 10" (254) with sump receiver - 15 3/4" (400) Metric equivalents see chart below. (Dimension) Denotes Millimetres

**PARTS:**



OPTIONAL SUFFIX	GPM PER INCH OF HEAD	MAXIMUM FLOW GPM
F4.75	4.75	28.50
F6.25	6.25	37.50
F7.75	7.75	46.50
F9.25	9.25	55.50

PIPE SIZE	BODY HEIGHT				
	NO HUB (STANDARD)	PUSH ON (P)	THREADED (T)	INSIDE CAULK (X)	PVC (-30) / ABS (-31)
2" (51)	5 3/4" (146)	5 1/2" (140)	6 1/2" (165)	6 1/2" (165)	6 3/4" (171)
3" (76)	5 3/4" (146)	5 1/2" (140)	6 5/8" (168)	6 1/2" (165)	7 1/2" (191)
4" (102)	5 3/4" (146)	5 1/2" (140)	5 1/2" (140)	6 1/2" (165)	7 5/8" (194)
5" (127)	5 3/4" (146)	5 1/2" (140)	6 5/8" (168)	6 3/4" (171)	-
6" (152)	7 1/4" (184)	5 5/8" (143)	5 5/8" (143)	6 1/2" (165)	-
8" (203)	5 7/8" (149)	N/A	N/A	(A7-8X body)	-

SUFFIX	OPTIONAL VARIATIONS	SUFFIX	OPTIONAL VARIATIONS
-6	Vandal proof dome (metal dome only)	-EG	Galvanized Adjustable extension
-11	Acid resistant epoxy coating	-G	Stainless steel ballast guard
-12	Galvanized metal dome	-HC	Adj. ballast guard with secondary clamp
-12A	Galvanized body and membrane clamp	-JC	S.S. ballast guard with secondary clamp
-12B	Galvanized metal dome and membrane clamp	-M	Metal dome
-13	Galvanized body, membrane clamp and dome	P	Push on outlet
-28	Stainless steel body (Type 304) (2", 3", 4")	-RG	RoofGuard non clogging cast iron dome
-30	PVC socket connection body	T	Threaded outlet (2", 3", 4")
-31	ABS socket connection body	-U	Underdeck clamp
-81	Rough bronze dome	-U3	Underdeck clamp with cutaway side
-83	Stainless steel mesh screen over dome	-V	Fixed Static Extension 2", 3", 4"
-90	Threaded side outlet (2", 3", 4")	-VG	Galvanized fixed extension (2", 3", 4")
-90NH	No Hub side outlet (cast iron only) (2", 3", 4")	-W-1	Water proofing flange
-B	Sump receiver	X	Inside caulk outlet (2", 3", 4")
-C	Secondary clamp	-XJ	Vertical expansion joint (see R1900)
-E	Adjustable extension	-Z	Extended wide elastomeric flange

CALIFORNIA PROPOSITION 65 WARNING. This product contains chemicals known to the State of California to cause cancer and birth defects or other reproductive harm.

Job Name: \_\_\_\_\_ Page No: \_\_\_\_\_  
 Section No: \_\_\_\_\_ Contractor: \_\_\_\_\_  
 Schedule No: \_\_\_\_\_ Purchase Order No: \_\_\_\_\_