

Location: _____



P7040 / P7060

Stainless Steel Fabricated Cleanout

SPECIFICATION:

MIFAB® Series P7000 (specify P7040 to cover 4" pipe and P7060 to cover 6" pipe) round heavy duty floor cleanout manufactured out of 16 gauge, Type 304 stainless steel with three stainless steel screws to fasten to pipe. Standard with ANSI rated "Heavy Duty", Load Class "C" solid Type 304 stainless steel cover with a load rating of 5,000 to 7,000 lbs. Load Class "D" and "E" covers are also available.

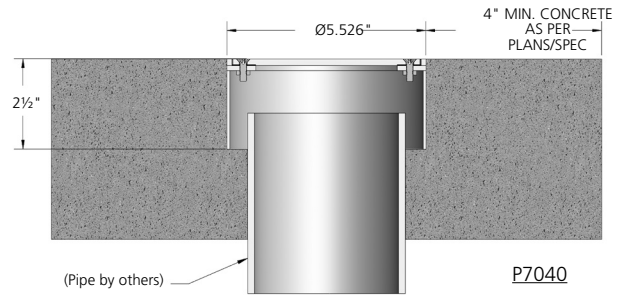
FUNCTION:

Used in industrial, commercial, kitchen and other hygienic areas, such as finished floors to provide emergency access to the plumbing lines for removal of blockages. Heavy duty, Type 304 stainless steel construction provides for ease of cleaning, maintenance and sanitary installation.

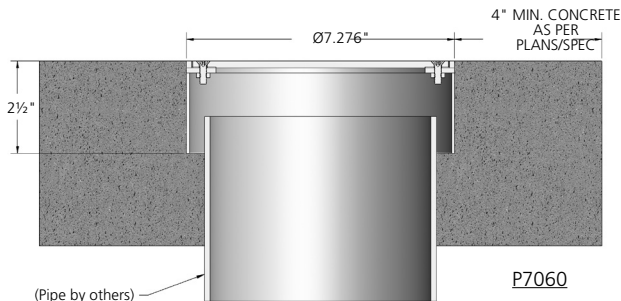
Note: Every order of this product is a special / custom order fabrication. This product is non returnable and noncancellable.



(P7040 illustrated)



Specifying engineer is responsible for concrete encasement and reinforcing based upon application and local codes.



Specifying engineer is responsible for concrete encasement and reinforcing based upon application and local codes.

The P7040-LCD and P7060-LCD are NSF certified with a load classification of Extra Heavy Duty.

MODEL NUMBER	SIZE
P7040	4" round, Type 304, Heavy Duty Stainless Steel Cleanout (Load Class "C", "Heavy Duty" Cover)
P7040-29	4" round, Type 316, Heavy Duty Stainless Steel Cleanout (Load Class "C", "Heavy Duty" Cover)
P7060	6" round, Type 304, Heavy Duty Stainless Steel Cleanout (Load Class "C", "Heavy Duty" Cover)
P7060-29	6" round, Type 316, Heavy Duty Stainless Steel Cleanout (Load Class "C", "Heavy Duty" Cover)

OPTIONAL VARIATIONS	DESCRIPTION
-C	Membrane Clamp
-FL	Anchor Flange
-LCD	Load Class "D", Extra Heavy Duty Cover (7,500 - 10,000 lbs.)
-LCE	Load Class "E", Special Duty Cover (over 10,000 lbs.)
-NS	Slip Resistant Grate (Non slip grit finish)
-6	Vandal Resistant Cover

CALIFORNIA PROPOSITION 65 WARNING. This product contains chemicals known to the State of California to cause cancer and birth defects or other reproductive harm.

Job Name: _____ Page No: _____
 Section No: _____ Contract: _____
 Schedule No: _____ Purchase Order No: _____

MIFAB® reserves the right to make changes in material and design without formal notice or obligation.

USA: 1-800-465-2736 www.mifab.com CAN: 1-800-387-3880