

Location: _____

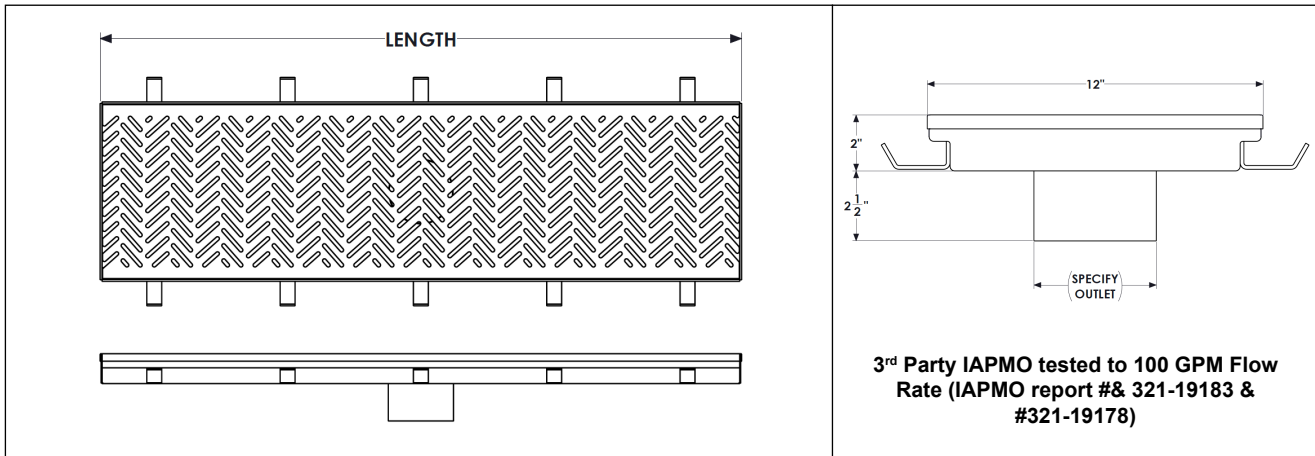


P6120-ELTD

12" WIDE ELEVATOR TRENCH DRAIN SYSTEM

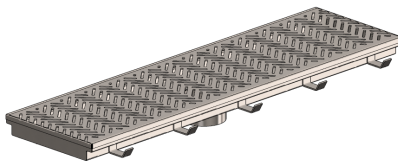
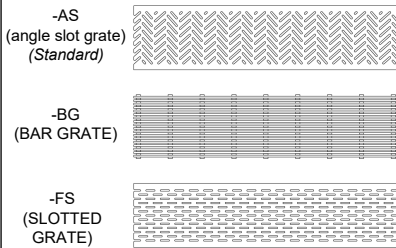
Specification: MIFAB® Series P6120-ELTD for Elevator Trench Drain, 12" wide, 16 gauge fabricated Type 304 stainless steel presloped trench drain (1/8" per foot) with slotted, Load Class "A" Light duty stainless steel ADA compliant grates. Free area of 23.00 square inches per 1' section. Square bottom bodies have flanged ends to connect to each other with a neoprene rubber gasket in between. Bottom and end outlets are available in 3", 4" 6" or 8" no hub outlet connections (specify outlet size) and fabricated as part of the trench drain system. Also available with optional anchor flange (Suffix -FL).

Function: Used in Fire Service Access Elevators. Prevents water used to extinguish fires from entering the elevator shaft, protecting emergency personnel with egress and staging requirements. Installed in front of elevator door or elevator bank. Handles 100 GPM flow. ADA compliant, heel-proof grating construction meets City of San Francisco code requirements and California state building requirements.



3rd Party IAPMO tested to 100 GPM Flow Rate (IAPMO report #& 321-19183 & #321-19178)

The neoprene gasket used to connect long runs of trench drain bodies is not recommended for use with caustic or harsh chemicals. In these cases, it is recommended that the trench drain sections be welded on site.



Testing performed on 36", 43" and 96" long trench drains with 4" bottom outlets.

- 16 gauge fabricated Type 304 stainless steel
- Slotted, Load Class "A" Light duty stainless steel ADA compliant grates.
- Bottom and end outlets are available in 3", 4" 6" or 8" no hub outlet connections (specify outlet size) and fabricated as part of the trench drain system.
- Complies with 2013 California Building Code 403.6.1, 403.6.2, 3007.4 and 3008.4
- Complies with 2013 San Francisco Fire Code Section 511.1.4

SUFFIX	OPTIONAL VARIATIONS
-5	Sediment Bucket
-C	Membrane Clamp
-EO	Put 3, 4, 6 or 8 in the last of the four digits of the model # to indicate the end outlet connection size and add suffix -EO. Eg. P6124-EO for a 4" end outlet.
-FL	Anchor Flange (Instead of Anchor Tabst).
-Length	Specify the length that is required

-LS	Longitudinal Slotted Grate (ADA Compliant)
-NS	Slip Resistant Grate (Non slip grit finish)
-P	Push on outlet
-T	Threaded outlet
-X	Inside caulk outlet
-6	Vandal Resistant Grate
-7	Trap Seal Primer Tapping
-90	90 Degree Section

CALIFORNIA PROPOSITION 65 WARNING. This product contains chemicals known to the State of California to cause cancer and birth defects or other reproductive harm.

Job Name: _____ Page No: _____
 Section No: _____ Contractor: _____
 Schedule No: _____ Purchase Order No: _____