



MIFAB's MI-NEUT-MONITOR is designed to continuously monitor pH values directly in your reservoir. Each unit features a user selectable set-point. An LED visual alarm is activated and flashes when the pH level rises either above or below (user selected) that set-point.

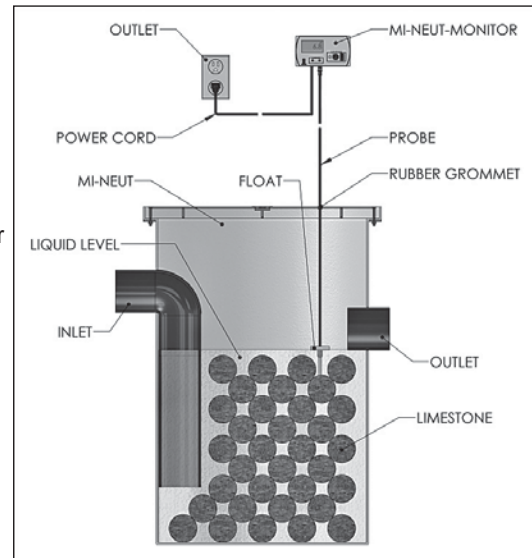
All of these instruments run on a 12V adapter so there's no need to worry about failed batteries and each unit comes with mounting kit, probe, probe holder and starter calibration solution.

SPECIFICATIONS:

- RANGE** : 0.0 to 14.0 pH
- RESOLUTION** : 0.1 pH
- ACCURACY (@25°C)** : ±0.2 pH
- SETPOINT** : 5.5 to 9.5 pH
- ALARM** : Active when measure is higher/lower than selected set point
- ENVIRONMENT** : 0 to 50°C, 95% RH not condensing
- POWER SUPPLY** : 12 VDC (included)
- DIMENSIONS** : 5.85" x 3.25" x 1.25"
- PROBE** : Equipped with a 3 meter long cable

OPTIONS:

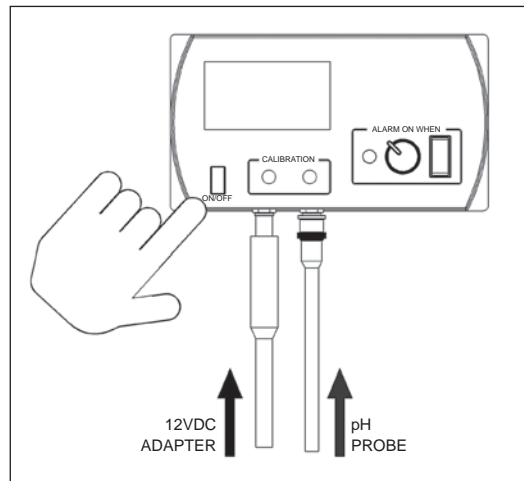
- **NEMA** NEMA RATED ENCLOSURE FOR MONITOR
- **PROBE** REPLACEMENT PROBE
- **CAL** CALIBRATION SOLUTION



List Price of MI-NEUT-MONITOR \$775.00

OPERATION:

- Connect the supplied 12VDC power adapter to the meter and to the main line.
- Connect the pH-probe to the BNC socket on the bottom of the meter.
- Always remove the probe protective cap before taking any measurement. If the probe has been left dry, soak the tip (bottom 2.5 cm) in rinse solution for a few minutes to reactivate it
- Make sure that the meter has been calibrated before taking any measurements (see Calibration Procedure).
- Immerse the tip (2.5 cm) of the pH-electrode into the sample.
- Turn the instrument on by pressing the ON/OFF key.
- Allow the reading to stabilize and the meter will start continuous monitoring.
- A blinking alarm will indicate when the measured pH value is higher or lower than selected set point, depending on user selection.



SET POINT:

The set point can be selected by adjusting the central front knob to the desired value.

- The selectable range is from 5.5 to 9.5 pH.
- The nature of the set point can be selected by setting the switch to the desired position (ABOVE or BELOW).

CALIBRATION PROCEDURE:

- Remove the protective cap from the probe.
- Immerse the electrode tip into a new sachet of pH 7 calibration solution and allow the reading to stabilize.
- Adjust the pH7 calibration trimmer (on the front) to display "7.0 pH".
- Open a new sachet of pH 4 calibration solution and use a small quantity to rinse the electrode.
- Immerse the electrode tip into the pH 4 sachet and allow the reading to stabilize.
- Adjust the pH4/10 calibration trimmer (on the front) to display "4.0 pH".
- The calibration is now complete and the meter is ready to take measurements.
- It is suggested to recalibrate the meter at least once a month, after a prolonged stocking time and after pH-electrode replacement.

