

Location: _____



MI-EC

END CAP

Specification: MIFAB® Series MI-EC (specify size) of flexible rubber end caps manufactured from an elastomeric compound that meets the requirements of ASTM C-564 with inside knurling for superior pipe grip and Type 300 Series of stainless steel clamp tightened with 5/16" Type 300 stainless steel hex head screw. MI-EC Series of end caps are tested and certified to I.A.P.M.O. Standard PS 90-06 and CSA Standard B602-2010 and listed with I.A.P.M.O. All models are listed to the National Plumbing Code of Canada and relevant Canadian Standard(s) and bear the cUPC mark of conformity. Non constant temperature rating is 140 F.

Function: Used to cap pipe ends, cleanouts and open pipes. They are suitable for above ground or underground use on cast iron, steel, PVC or ABS pipes.

Material Specifications:

Bands – Type 300 AISI stainless steel (Minimum tensile 165,000 psi).

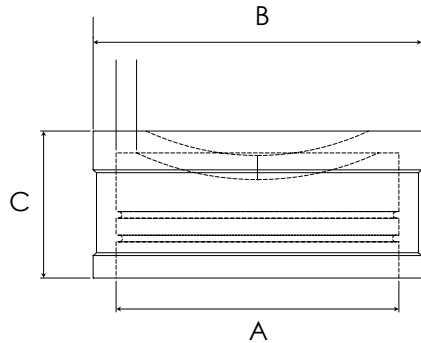
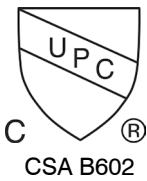
Gasket – Elastomeric compound that meets the requirements of ASTM C-564.

Screw Housing – Type 300 AISI stainless steel.

Screw – Type 300 AISI stainless steel, 5/16" Hex head / Shoulder.

Performance Specifications:

- Tested to maintain 4.3 psi of water pressure (typical 10' head).
- Requires a 5/16" hex head driver to tighten screw head to a minimum of 60 pounds.



MODEL NUMBER	PIPE SIZE	A WIDTH	B WIDTH	C HEIGHT
MI-EC-150	1 1/2"	1.61" (41)	1.95" (50)	1.15" (29)
MI-EC-200	2"	1.94" (49)	2.48" (63)	1.25" (32)
MI-EC-300	3"	3.09" (79)	3.63" (92)	1.39" (35)
MI-EC-400	4"	3.96" (101)	4.60" (117)	1.65" (42)
MI-EC-500	5"	5.03" (128)	5.85" (149)	2.09" (53)
MI-EC-600	6"	5.73" (146)	6.62" (168)	2.20" (56)
MI-EC-800	8"	7.70" (196)	8.85" (225)	2.95" (75)

CALIFORNIA PROPOSITION 65 WARNING. This product contains chemicals known to the State of California to cause cancer and birth defects or other reproductive harm.

Job Name: _____ Page No: _____
 Section No: _____ Contractor: _____
 Schedule No: _____ Purchase Order No: _____

MIFAB reserves the right to make changes in material and design without formal notice and obligation.

USA: 1-800-465-2736 www.mifab.com CAN: 1-800-387-3880