

Location: _____

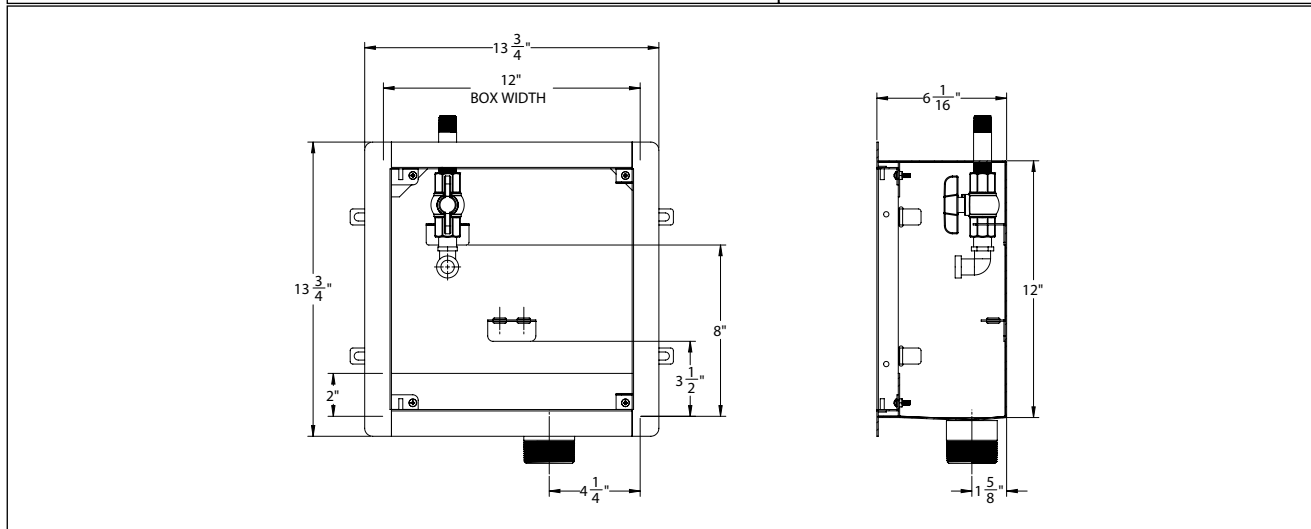
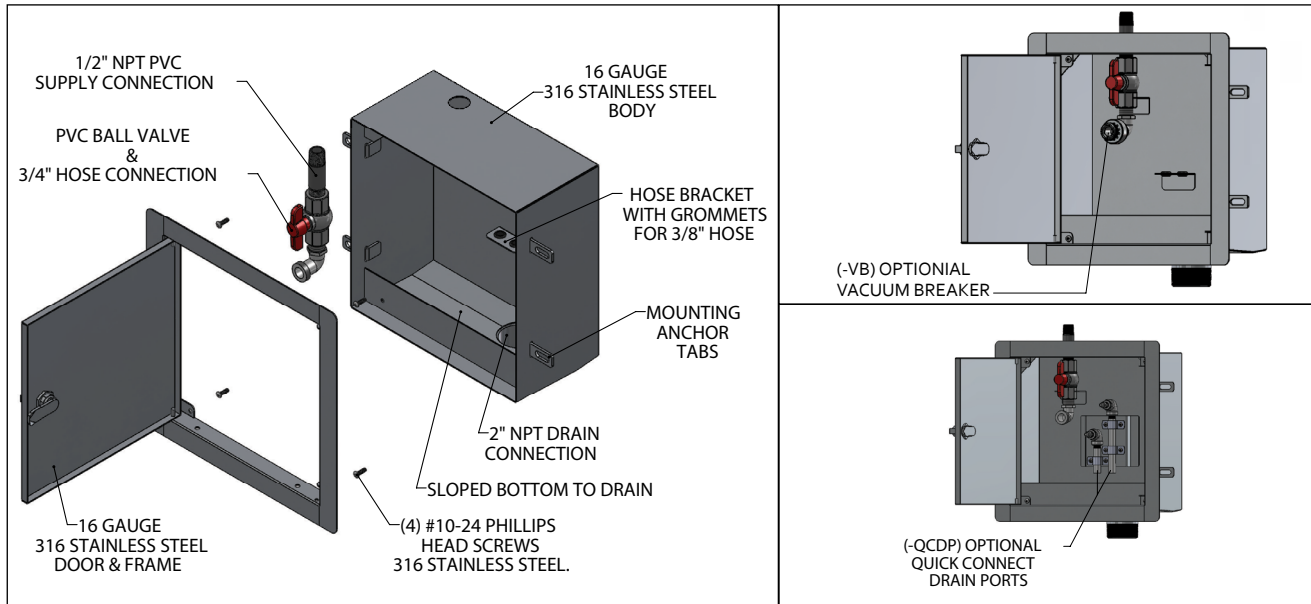


MI-DIAL

STAINLESS STEEL SUPPLY & WASTE DIALYSIS BOX WITH ONE VALVE & DOOR

SPECIFICATION: MIFAB® MI-DIAL supply and waste dialysis box is constructed of 16 gauge, Type 316 stainless steel (satin finish) continuous welded corners, four mounting anchor tabs, and removable finishing frame and door, one 1/2" NPT PVC supply connection with PVC ball valve and 3/4" hose connection. Bracket with grommets for two 3/8" diameter hose, and 2" stainless steel drain connection with sloped bottom.

FUNCTION: MIFAB's Stainless Steel supply and waste dialysis boxes are designed for use with dialysis machines that use RO (reverse osmosis) and DI (deionized) water, mixed with dialysate saline concentrate. This water corrodes steel, some stainless steels, cast iron, copper and brass metals regularly used in supply and waste systems. There are two types of dialysis machines. One type mixes dialysate into the RO-DI water inside the machine and the other requires pre-mixed water. When the first type is used, MIFAB's single valve models (MI-DIAL) are satisfactory. When the second type is used, MIFAB's two valve models (MI-DIAL-2) are required. Stainless steel door and frame assembly is provided to cover the internal valves and connections within the box.



OPTIONAL VARIATIONS:

- 304PB Type 304 stainless steel box (instead of Type 316)
- 304PF Type 304 stainless steel supply fittings with bronze ball valve
- VB Bronze vacuum breaker with 3/4" hose connection on supply line
- QCDP 1/4" quick connect drain port connections (Type 304 stainless steel)
- RF Round front stainless steel door (instead of a flat door)
- CS Custom box size (specify dimensions required. MIFAB can manufacture MI-DIAL dialysis boxes to any dimensions required).

Job Name: _____	Page No: _____
Section No: _____	Contract: _____
Schedule No: _____	Purchase Order No: _____