

Location: _____

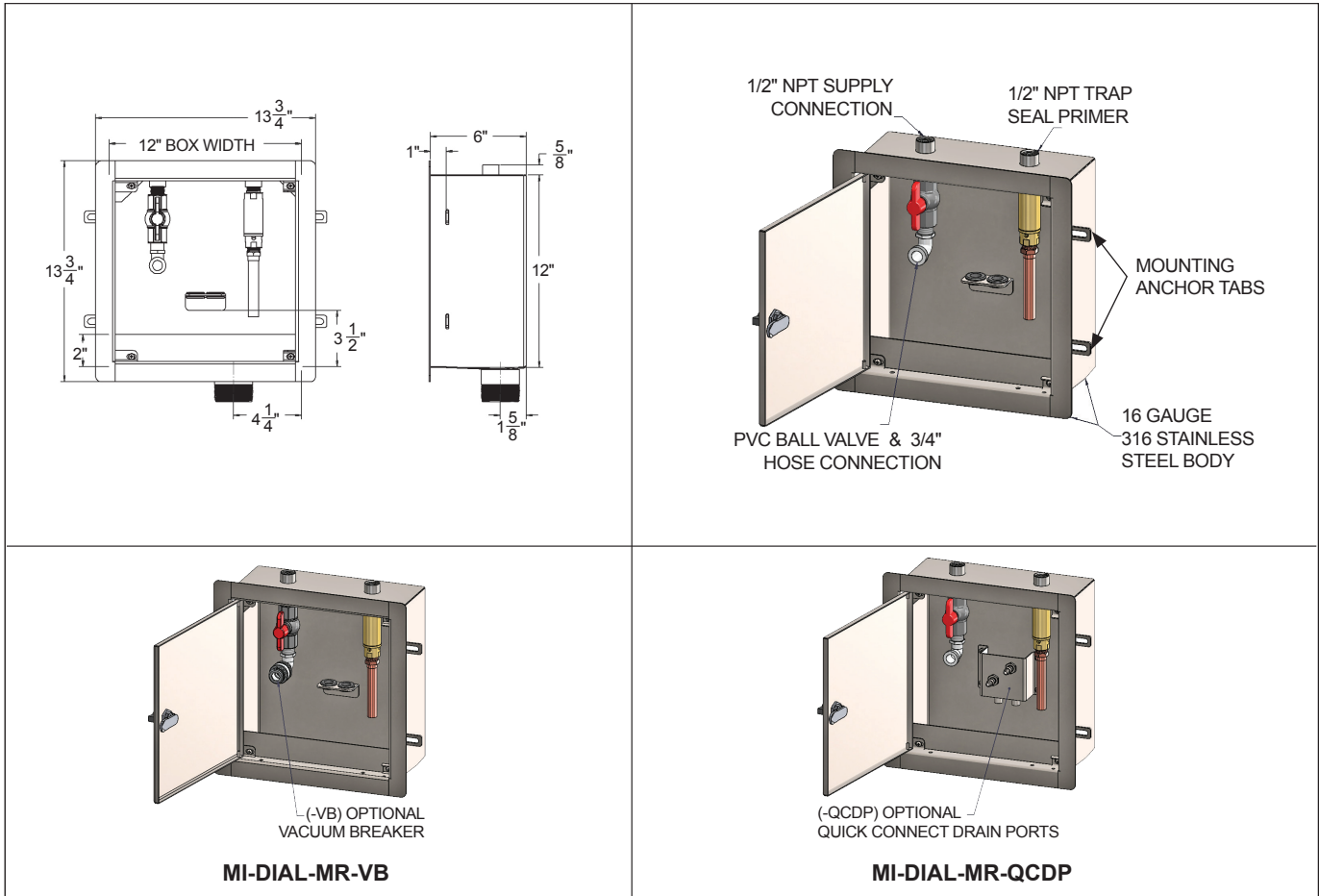


MI-DIAL-MR

STAINLESS STEEL DIALYSIS BOX WITH TRAP SEAL PRIMER

Specification: MIFAB® Series MI-DIAL-MR supply and waste dialysis box is constructed of 16 gauge, Type 316 stainless steel (satin finish), continuous welded corners, four mounting anchor tabs, and removable finishing frame and door, two 1/2" NPT PVC supply connections with PVC ball valves, 3/4" hose connections and pressure drop activated trap seal primer. Bracket with grommets for two 3/8" diameter hose and 2" NPT stainless steel drain connection with sloped bottom.

Function: MIFAB's Stainless Steel supply and waste dialysis boxes are designed for use with dialysis machines that use RO (reverse osmosis) and DI (deionized) water, mixed with dialysate saline concentrate. This water corrodes steel, some stainless steels, cast iron, copper and brass metals regularly used in supply and waste systems. There are two types of dialysis machines. One type mixes dialysate into the RO-DI water inside the machine and the other requires pre-mixed water. When the first type is used, MIFAB's single valve models (MI-DIAL) are satisfactory. When the second type is used, MIFAB's two valve models (MI-DIAL-2) are required. Stainless steel door and frame assembly is provided to cover the internal valves and connections within the box. The pressure drop activated trap seal primer connects to the drain line to maintain a water seal within the p-trap underneath the floor drain.



OPTIONAL VARIATIONS:

- 304PB Type 304 stainless steel box (instead of Type 316)
- 304PF Type 304 stainless steel supply fittings with bronze ball valve (6 1/16" box depth required)
- 3PF Stainless steel supply fittings with stainless steel ball valve
- VB Bronze vacuum breaker with 3/4" hose connection on supply line (6 1/16" box depth required)
- QCDP 1/4" quick connect drain port connections (Type 304 stainless steel)
- CS Custom box size (specify dimensions required. MIFAB can manufacture MI-DIAL dialysis boxes to any dimensions required)

CALIFORNIA PROPOSITION 65 WARNING. This product contains chemicals known to the State of California to cause cancer and birth defects or other reproductive harm.

Job Name: _____

Page No: _____

Section No: _____

Contractor: _____

Schedule No: _____

Purchase Order No: _____