

Location: _____



MI-CONTROL-LL

WATER HEATER SHUTOFF THERMAL EXPANSION CONTROL VALVE

Specification: The BEECO MI-CONTROL-LL is designed to be used where a water heater shut-off and thermal expansion relief valve are needed in combination to provide protection for your plumbing system against thermal expansion.

Function: Water heater shutoff/thermal expansion control valve is manufactured to control thermal expansion in a closed plumbing system and also for residential water heater applications where a water heater shut-off and thermal expansion relief valve are combined to provide protection from thermal expansion. The MI-CONTROL-LL will provide thermal expansion relief at a pressure of 5 psi or more below the set pressure of the primary thermal expansion relief valve.

Features: Compact design with a quick quarter turn shut off valve. Made of brass body and a chrome plated ball for longer life the device is ASSE approved and IAPMO listed.

Ratings: The MI-CONTROL-LL Valve is made of a bronze body engineered to withstand incoming water pressure of up to 600 psi, and withstand temperatures up to 180°F (82° C).

Pressure – Temperature Data:

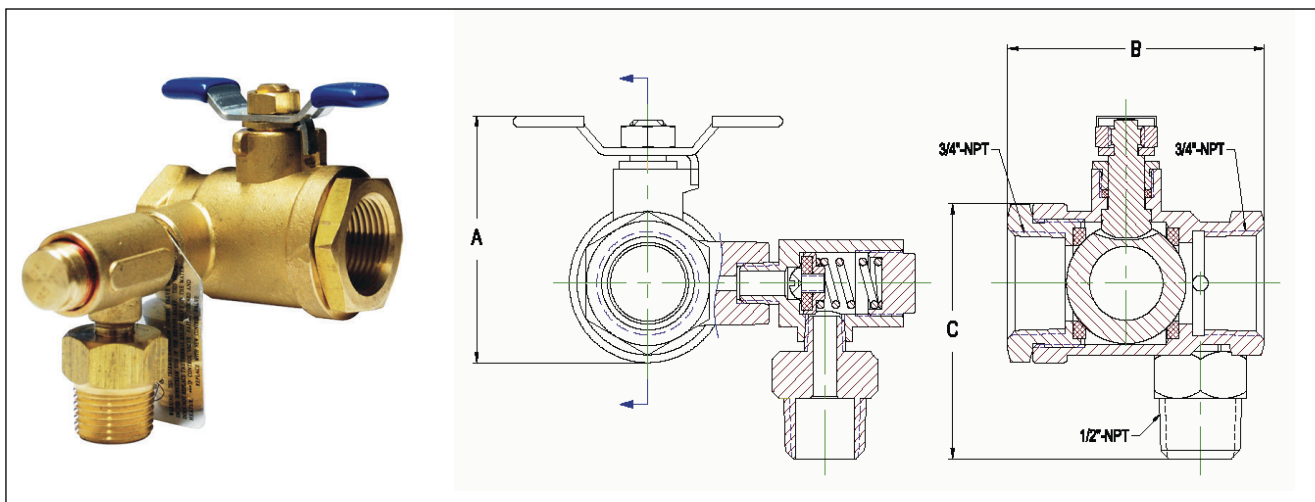
Temperature Rating: 180 degrees F (82 Degrees C)



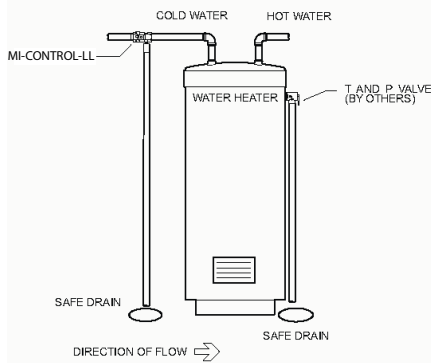
Approvals:

Valve is tested, certified and listed to the I.A.P.M.O. I.G.C. 128-2006a

The wetted surface contacted by consumable water contains less than one quarter of one percent (0.25%) of lead by weight.



TYPICAL INSTALLATION



Components of Control Valve:

- Body:** Cast Brass
- Cap:** Rod Brass
- Fitting:** Rod Brass
- Seat Washer:** Silicone Rubber
- Spring:** Stainless Steel
- Screw:** Brass
- Check:** Rod Brass

Components of Ball Valve:

- Body:** Cast Bronze
- Lever:** Steel
- Grip:** Plastic
- Hex Nut:** Carbon Steel
- Stem Bearing:** RTFE
- Stem:** Rod Brass
- Retainer:** Rod Brass
- Ball:** Rod Brass
- Stem Packing:** RTFE
- Seat:** RTFE
- Gland:** Rod Brass

| MODEL NUMBER | DESCRIPTION | MASTER CARTON QTY | MASTER CARTON WT. | DIMENSIONS | | |
|---------------|---------------------------|-------------------|-------------------|------------|-------|-------|
| | | | | A | B | C |
| MI-CONTROL-LL | 3/4" F.I.P. X 3/4" F.I.P. | 20 | 21 lbs. | 2 1/2" | 2.70" | 3.40" |

CALIFORNIA PROPOSITION 65 WARNING. This product contains chemicals known to the State of California to cause cancer and birth defects or other reproductive harm.

Job Name: _____ Page No: _____
 Section No: _____ Contractor: _____
 Schedule No: _____ Purchase Order No: _____