

Location: \_\_\_\_\_



**MI-700, MI-701,  
MI-702**

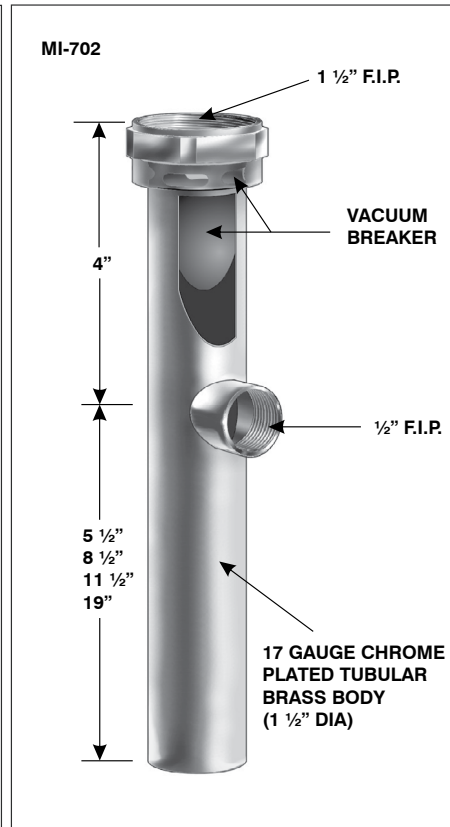
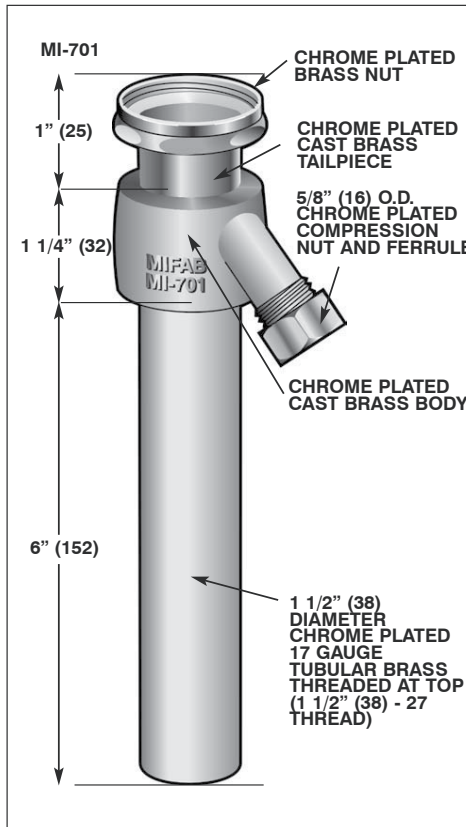
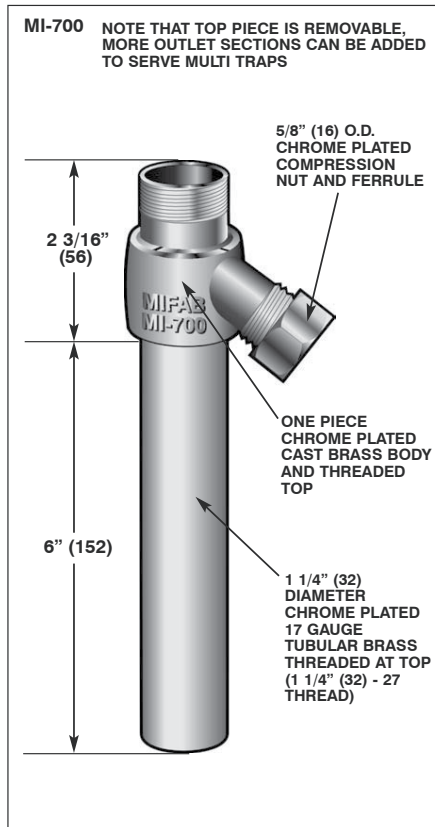
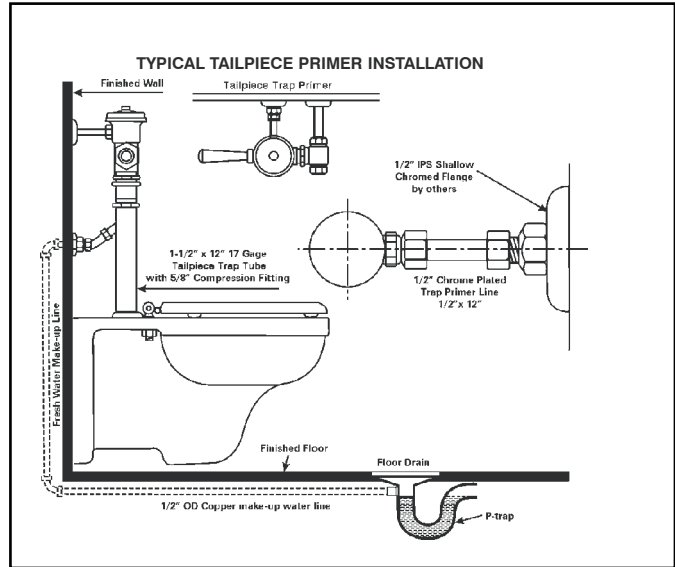
### TAILPIECE TRAP SEAL PRIMER

**Specification:** MIFAB® Series Specification: MIFAB Series MI-\_\_\_\_ (specify 700 for 1 1/4" (31) diameter or 701 for 1 1/2" (38) diameter), 17 gauge chrome plated tubular brass tailpiece trap seal primer with 5/8" (15) compression fitting.

**Specification for MI-702:** MIFAB MI-702 17 gauge chrome plated tailpiece trap seal primer with vacuum breaker and 1 1/2" F.I.P. inlet connection. For use within a flush valve system.

**Function:** MIFAB's MI-700 Series of tailpiece trap seal primers replace the standard flush valve connection to provide a fresh water discharge to replenish the floor drain trap seal. Three ounces of water will flow through the priming tube connection each time the flush valve operates.

**Installation:** MIFAB's MI-700 Series of tailpiece trap seal primers are engineered to prime one floor drain trap that is no further than twenty feet from the flush valve primer. A 1/2" (13) O.D. copper make-up water line connecting the tailpiece trap seal primer to the floor drain trap is recommended. It also serves lavs, sinks, and flush valves.



(Dimension) Denotes Millimetres

CALIFORNIA PROPOSITION 65 WARNING. This product contains chemicals known to the State of California to cause cancer and birth defects or other reproductive harm.

Job Name: \_\_\_\_\_ Page No: \_\_\_\_\_

Section No: \_\_\_\_\_ Contractor: \_\_\_\_\_

Schedule No: \_\_\_\_\_ Purchase Order No: \_\_\_\_\_