

Location: _____

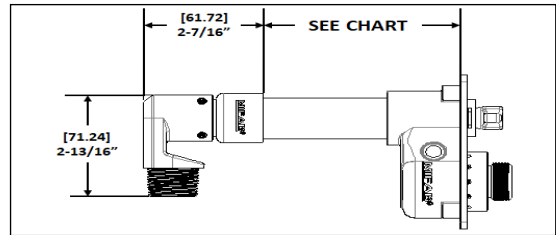
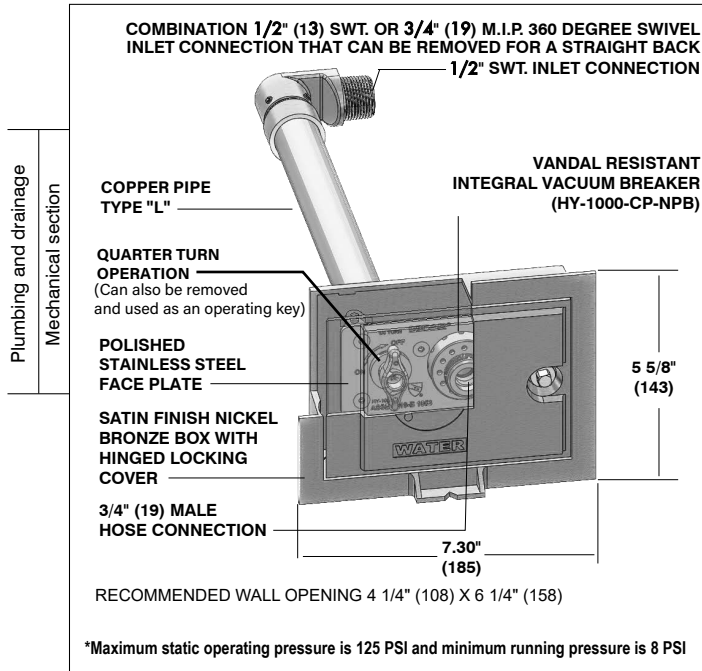


MHY-20

**ENCASED NON FREEZE
LOW LEAD WALL HYDRANT**

Specification: MIFAB® Series MHY-20 _____ (specify length) A.S.S.E. 1019-B and 1053 certified exposed type, self draining, non freeze low lead wall hydrant with A.S.S.E. 1011 approved anti-siphon and vandal resistant integral vacuum breaker with 3/4" (19) male hose connection. Hydrant assembly complete with quarter turn ceramic cartridge assembly to control both the flow and drain functions, hardened bronze operating stem, drain port under the hexagon nut, copper casing, 360 degree swivel inlet connection, heavy duty chrome plated bronze head casting, polished stainless steel face plate, and satin finished nickel bronze box with hinged locking cover. Operating key to be furnished with each hydrant.

Function: Designed to blend in with commercial applications such as office buildings, apartment complexes, malls and shopping centers, schools, churches and industrial buildings.



MHY-20 SERIES FEATURES:

- **SWIVEL CONNECTION** - 360 degree combination 1/2" SWT. and 3/4" male threaded Inlet connection. Swivel connection can be removed for 1/2" SWT. straight back inlet connection.
- **VACUUM BREAKER** - unique vandal resistant integral vacuum breaker protects owner from anti-siphon conditions. Self draining.
- **FACE PLATE** - polished stainless steel.
- **CASING** - Copper casing.
- **APPROVALS** - MHY-20 Series wall hydrant is tested and certified by C.S.A. to the A.S.S.E. Standards 1019-B and 1053. The anti-siphon vacuum breaker is tested and certified by C.S.A. to the A.S.S.E. Standard 1011.



The wetted surface contacted by consumable water contains less than one quarter of one percent (0.25%) of lead by weight.

MODEL NO.	WALL THICKNESS		OVER LENGTH		APPROXIMATE WEIGHT		SWIVEL INLET CONNECTION
	IN	MM	IN	MM	Lbs.	Kgs.	IN
MHY-20-6	6	152	10	254	7.0	3.18	1/2" SWT., 3/4" Male IPS combination
MHY-20-8	8	203	12	305	8.0	3.63	1/2" SWT., 3/4" Male IPS combination
MHY-20-10	10	254	14	356	9.0	4.08	1/2" SWT., 3/4" Male IPS combination
MHY-20-12	12	305	16	406	9.5	4.31	1/2" SWT., 3/4" Male IPS combination
MHY-20-14	14	356	18	457	10.0	4.54	1/2" SWT., 3/4" Male IPS combination
MHY-20-16	16	406	20	508	10.0	4.54	1/2" SWT., 3/4" Male IPS combination
MHY-20-18	18	457	22	559	11.0	4.99	1/2" SWT., 3/4" Male IPS combination
MHY-20-20	20	508	24	610	12.0	5.44	1/2" SWT., 3/4" Male IPS combination
MHY-20-22	22	559	26	660	13.0	5.90	1/2" SWT., 3/4" Male IPS combination
MHY-20-24	24	610	28	711	13.0	5.90	1/2" SWT., 3/4" Male IPS combination
MHY-20-26	26	660	30	762	14.0	6.35	1/2" SWT., 3/4" Male IPS combination

SUFFIX OPTIONAL VARIATIONS

- BA Minimum 51% material cost made in the USA
- K Cylinder key lock
- PA Pennsylvania Steel Act compliant product
- RB Fabricated stainless steel hydrant box with round back for tilt up construction (MHY-3-RB- 5 7/8" round back with 2" x 3.81" rectangular opening to receive hydrant).

SUFFIX OPTIONAL VARIATIONS

- S Four 1" x 1 1/4" (25 x 6) slots on top and two sides of box to receive mounting brackets
- WC Wall clamp
- 0 1" (25) Hose connection
- 3 Cast stainless steel hydrant box
- 49 Polished chrome plated nickel bronze box

CALIFORNIA PROPOSITION 65 WARNING. This product contains chemicals known to the State of California to cause cancer and birth defects or other reproductive harm.

Job Name: _____

Page No: _____

Section No: _____

Contractor: _____

Schedule No: _____

Purchase Order No: _____