

Location: _____

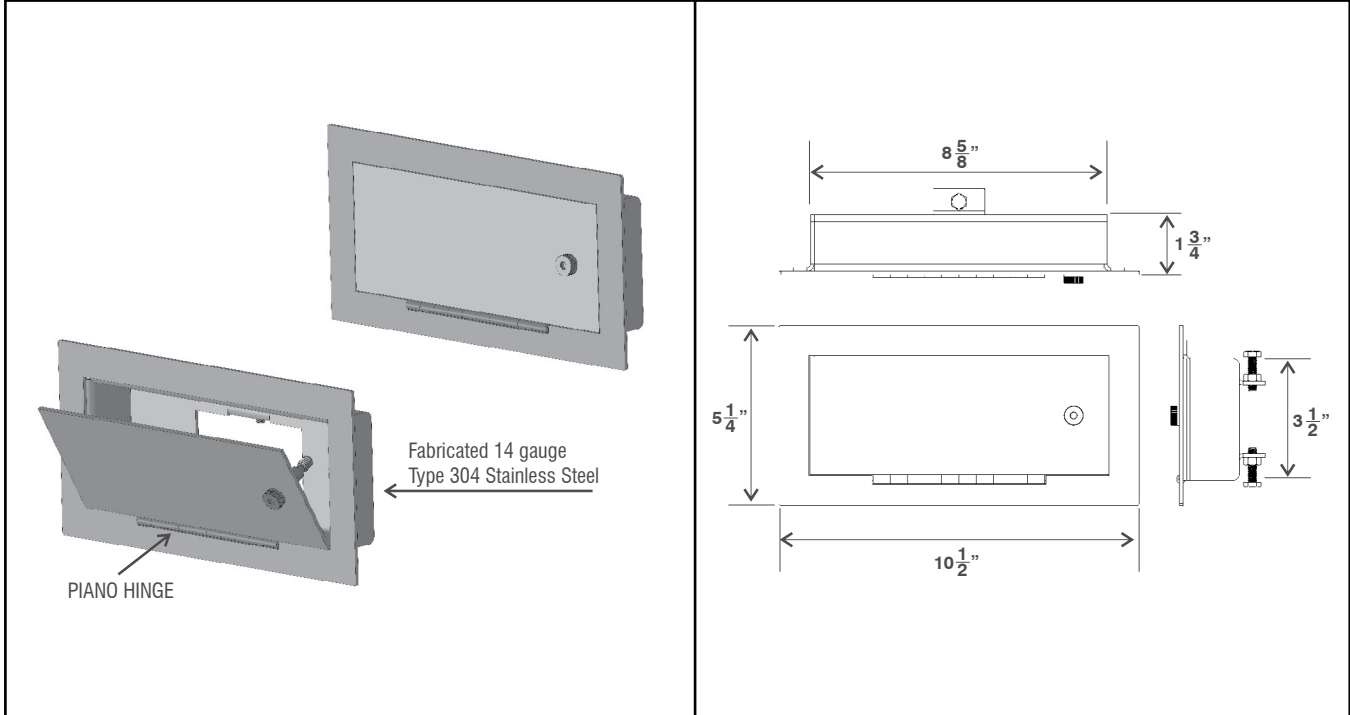


MHY-15-RECT

**RECTANGULAR HYDRANT BOX FOR
MHY-10, 30 & 50 SERIES HYDRANTS**

Specification: MIFAB® MHY-15-RECT Series fabricated Type 304 stainless steel rectangular hydrant box with piano hinge and allen key lock.

Function: Designed to fit into a 10 1/2" x 5 1/4" space that a brick would normally fit into. For use with MHY-10, 30 & 50 Series of MIFAB wall hydrants.



PART NO.	DESCRIPTION
MHY-15-RECT	Rectangular, stainless steel (Type 304) fabricated hydrant box for the MHY-10 through MHY-55 (except MHY-40, 45) Series

SUFFIX	OPTIONAL VARIATIONS
-BA	Buy American Act compliant product
-C	Cylinder key lock
-PA	Pennsylvania Steel Act compliant product
-PL	Paddle latch
-VP	Vandal resistant hardware (VP screwdriver included)

CALIFORNIA PROPOSITION 65 WARNING. This product contains chemicals known to the State of California to cause cancer and birth defects or other reproductive harm.

Job Name: _____ Page No: _____
 Section No: _____ Contractor: _____
 Schedule No: _____ Purchase Order No: _____