

Location: _____

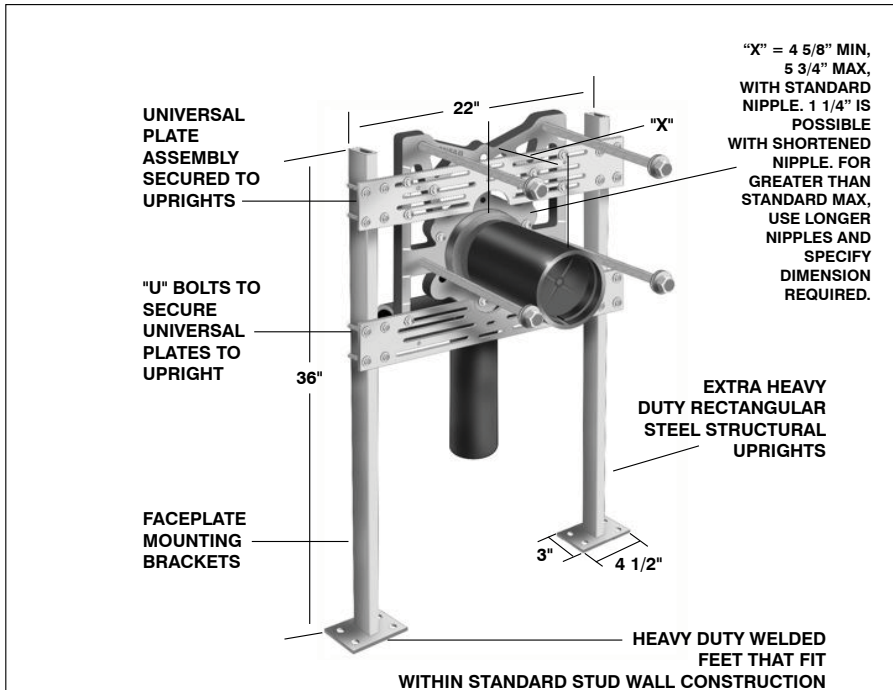


MC-61

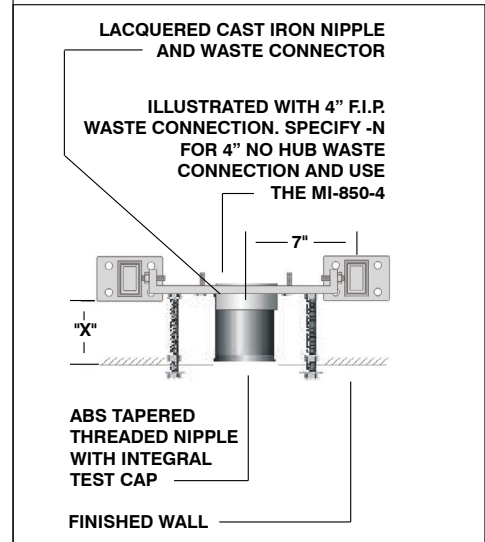
FLOOR MOUNTED SERVICE SINK CARRIER WITHOUT FITTING

Specification: MIFAB® Series MC-61 floor mounted service sink carrier with two lacquered 2" x 1" x 1/8" thick structural steel uprights with 3" x 4 1/2" welded steel feet, and back outlet waste connection (specify no hub or threaded waste connection). Complete with lacquered cast iron faceplate assembly, lacquered cast iron nipple and waste connector, adjustable 8" tapered thread ABS nipple with integral test cap, neoprene bowl gasket, hardware, threaded rod protectors and polished chrome plated finishing cap nuts.

Function: Used with off the floor wall urinals and service sinks that are wall mounted, and have no contact with the finished floor. Typically installed in utility, emergency and clean-up rooms where the narrow wall design does not accommodate the carrier fitting. The closet carrier is completely concealed within the wall and supports the load of the fixture through a faceplate and foot support system that is anchored to the floor. Sanitation underneath the fixture is more efficiently and economically maintained when installed off of the floor compared to floor mounted.



Note: 8" tapered thread ABS nipple shipped standard with MC-10 Series carriers. The universal faceplate assembly accepts all nipple variations, rolling thread (-OR), cast iron (-CI) and tapered thread ABS with adjustable horn (-AH).



MC-61 Series Meets ANSI/ASME fixture carrier standard A112.6.1M-97

NOTE: Blow-out configuration illustrated; for Siphon Jet, invert face plate.

NOTE: See the various fixture dimensional rough-in guides on the www.mifab.com website.

MODEL NUMBER CHART	
MC-61-T	- 4" F.I.P. waste connection
MC-61-N	- 4" No Hub waste connection

SUFFIX	OPTIONAL VARIATIONS
-AH8	8" ABS nipple with adjustable horn
-AH12	12" ABS nipple with adjustable horn
-BA	Buy American Act compliant product
-CI-4	4" rolling thread cast iron nipple
-CI-6	6" rolling thread cast iron nipple
-CI-8	8" rolling thread cast iron nipple
-CI-12	12" rolling thread cast iron nipple
-CI-24	24" rolling thread cast iron nipple
-HD	Heavy duty 500 lb. load rated carrier
-HD-750	750 lb. rated heavy duty
-HDX	1,000 lb. rated extra heavy duty
-N	4" no hub waste connection (with MI-850-4)

-PA	Pennsylvania Steel Act compliant product
-PFAB	Prefabricated carrier
-T	4" F.I.P. threaded waste connection
-1	Finishing / Tiling frame
-10	Auxiliary support, recommended with nipple lengths over 12"
-12	12" tapered thread ABS nipple
-13	All galvanized
-14	Vandal proof finish trim
-17	Test plug for custom cast iron nipples
-19	Nipple wrench
-20	Flush valve support
-32	Foot pedal valve mounting table

CALIFORNIA PROPOSITION 65 WARNING. This product contains chemicals known to the State of California to cause cancer and birth defects or other reproductive harm.

Job Name: _____ Page No: _____

Section No: _____ Contractor: _____

Schedule No: _____ Purchase Order No: _____