

Location: \_\_\_\_\_

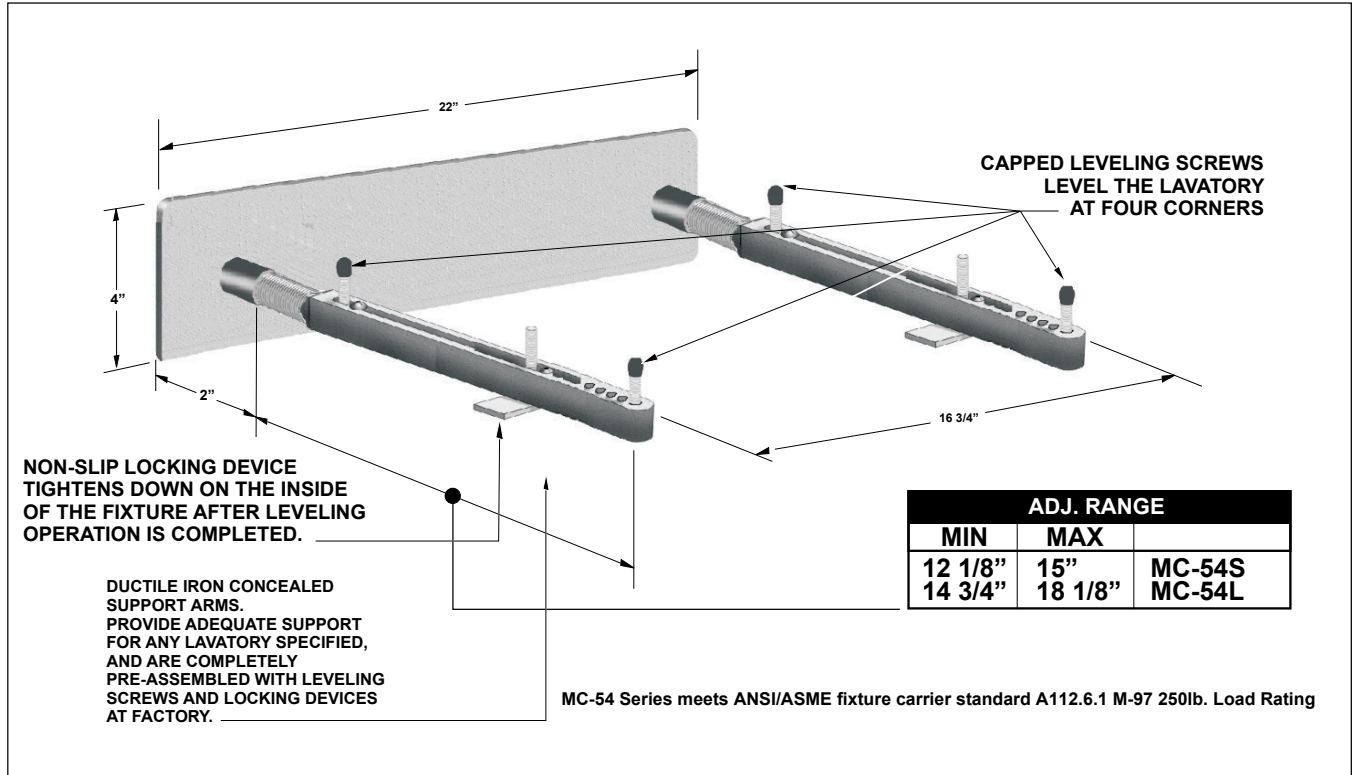


**MC-54**

**WALL MOUNTED LAVATORY  
SUPPORT WITH CONCEALED ARMS**

**Specification:** MIFAB® Series MC-54 wall mounted concealed arm lavatory carrier with lacquered, adjustable, ductile iron concealed support arms. Complete with lacquered cast iron wall plate, welded steel nipples with set screws, and fixture leveling and locking hardware.

**Function:** Used to secure the fixture to the wall in areas where a floor mounted carrier cannot be installed. The wall structure must be strong enough to bear the weight of the fixture. The vertical load bearing components are concealed within the wall and the fixture carrier has no contact with the finished floor inside of the room.



MODEL N O.	WT Lbs.	DESCRIPTION
MC-54	25.00	16" Long concealed arms on 16 3/4" center w/ steel plate
MC-54L	26.00	18" Long concealed arms on 16 3/4" center w/ steel plate
MC-54L-17.25	26.00	18" Long concealed arms on 17 1/4" center w/ steel plate
MC-54-17.25	25.00	16" Long concealed arms on 17 1/4" center w/ steel plate

SUFFIX	OPTIONAL VARIATIONS
-A	Stud length over 6" (specify)
-BA	Buy American Act compliant product
-E2	2" chrome plated escutcheons (pair)
-PA	Pennsylvania Steel Act compliant product

CALIFORNIA PROPOSITION 65 WARNING. This product contains chemicals known to the State of California to cause cancer and birth defects or other reproductive harm.

Job Name: \_\_\_\_\_ Page No: \_\_\_\_\_  
 Section No: \_\_\_\_\_ Contractor: \_\_\_\_\_  
 Schedule No: \_\_\_\_\_ Purchase Order No: \_\_\_\_\_