

Location: \_\_\_\_\_



**MC-51-LP**

**CONCEALED ARMS FOR LAVATORY SUPPORT**

**Specification:** MIFAB® Series MC-51-LP lacquered, adjustable, ductile iron concealed support arms with locknut, set screws and fixture leveling and locking hardware.

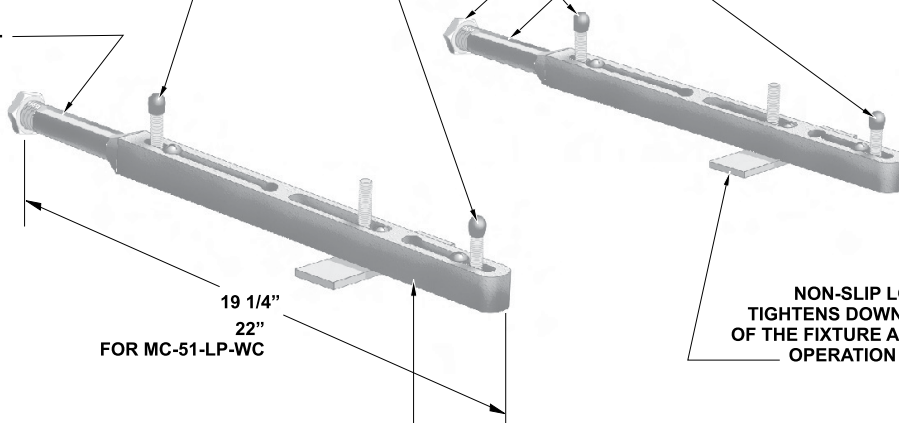
**Function:** Used to secure the fixture to the wall in areas where a floor mounted carrier cannot be installed. Installer must provide their own mounting plate and hardware. The wall structure must be strong enough to bear the weight of the fixture. The vertical load bearing components are concealed within the wall and the fixture carrier has no contact with the finished floor inside of the room.

CAPPED LEVELING SCREWS  
LEVEL THE LAVATORY  
AT FOUR CORNERS

LOCKNUT SECURES NIPPLE TO BRACKET  
ONCE DESIRED NIPPLE LENGTH IS SET.

THREADED ARMS PROVIDE  
5" OF ADJUSTMENT RANGE

1" M.P.T.



19 1/4"  
22"  
FOR MC-51-LP-WC

NON-SLIP LOCKING DEVICE  
TIGHTENS DOWN ON THE INSIDE  
OF THE FIXTURE AFTER LEVELING  
OPERATION IS COMPLETED.

DUCTILE IRON CONCEALED  
SUPPORT ARMS.  
PROVIDE ADEQUATE SUPPORT  
FOR ANY LAVATORY SPECIFIED,  
AND ARE COMPLETELY  
PRE-ASSEMBLED WITH LEVELING  
SCREWS AND LOCKING DEVICES  
AT FACTORY.

MC-51 Series Meets ANSI/ASME fixture carrier standard A112.6.1M-97

Note: Wall supported fixture mounting plates must be securely affixed (with suitable hardware by others) to a wall fully capable of bearing the weight of the plate and fixture.

SUFFIX	OPTIONAL VARIATIONS
-BA	Buy American Act compliant product
-E2	2" chrome plated escutcheons (pair)
-PA	Pennsylvania Steel Act compliant product
-WC	Paraplegic Rough-in
-16	16" overall length arms

CALIFORNIA PROPOSITION 65 WARNING. This product contains chemicals known to the State of California to cause cancer and birth defects or other reproductive harm.

Job Name: \_\_\_\_\_ Page No: \_\_\_\_\_  
 Section No: \_\_\_\_\_ Contractor: \_\_\_\_\_  
 Schedule No: \_\_\_\_\_ Purchase Order No: \_\_\_\_\_