

Location: _____

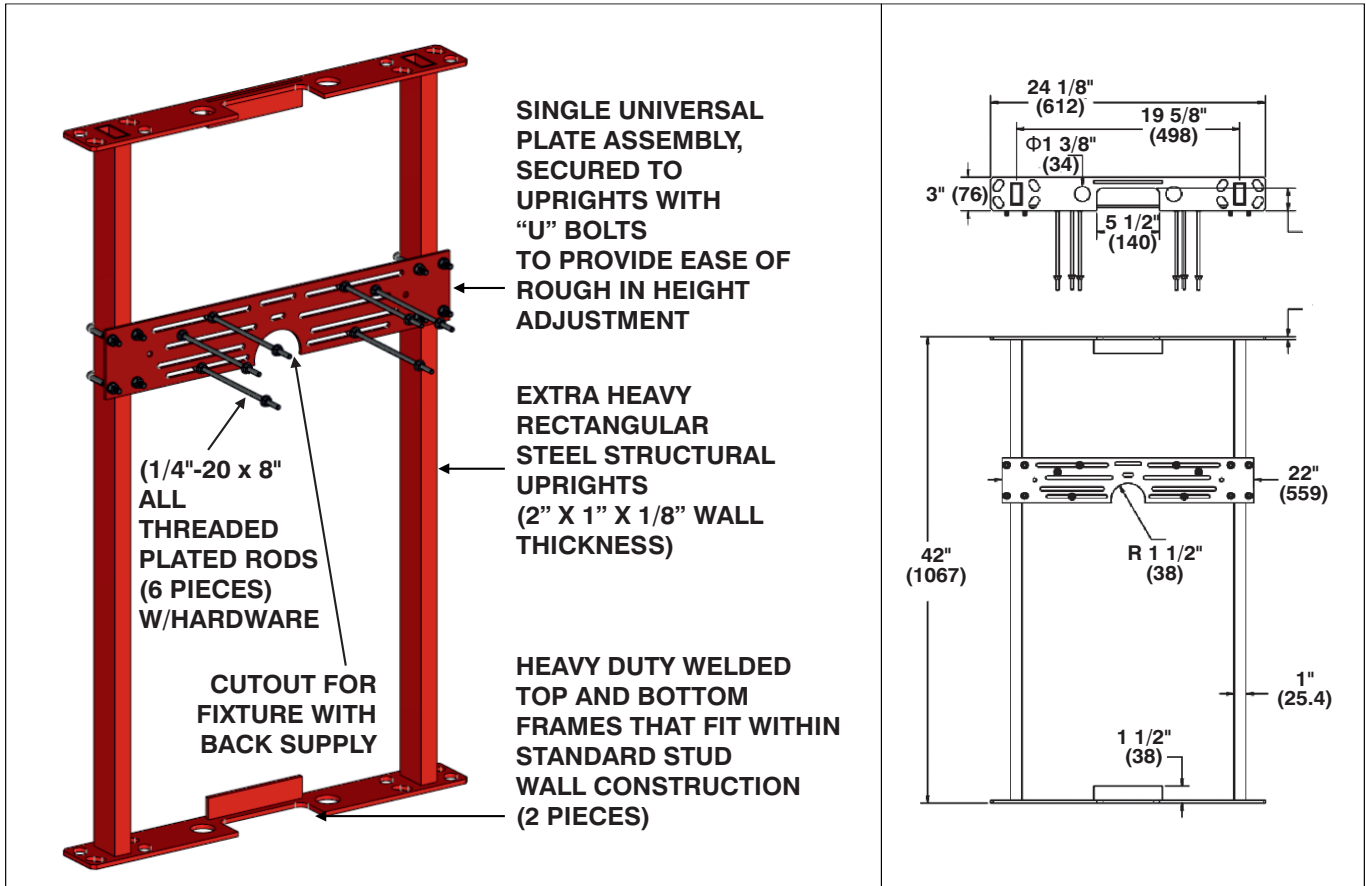


MC-31

SINGLE HANGER PLATE CARRIER WITH TWO UPRIGHTS

Specification: MIFAB® Series MC-31 single lavatory hanger plate carrier with universal, adjustable, top support plate. Complete with lacquered 2" x 1" x 1/8" thick structural steel uprights with 3" x 24 1/8" welded steel feet and mounting hardware.

Function: Used to support wall-hung fixtures such as urinals and water coolers that are independent of the wall. Designed for use in conjunction with the fixture hangar plate supplied by the fixture manufacturer.



NOTE: Foot supports should be securely anchored to floor with 1/2" bolts and anchors by others

SUFFIX	OPTIONAL VARIATIONS
-A	Stud length over 8" (specify)
-ASY	Prefabricated carrier bank
-B	Floor to ceiling upright
-LW	2" Lavatory waste connection
-WL	Waste line opening
-20	Flush valve support

CALIFORNIA PROPOSITION 65 WARNING. This product contains chemicals known to the State of California to cause cancer and birth defects or other reproductive harm.

Job Name: _____ Page No: _____
 Section No: _____ Contractor: _____
 Schedule No: _____ Purchase Order No: _____