

Location: \_\_\_\_\_

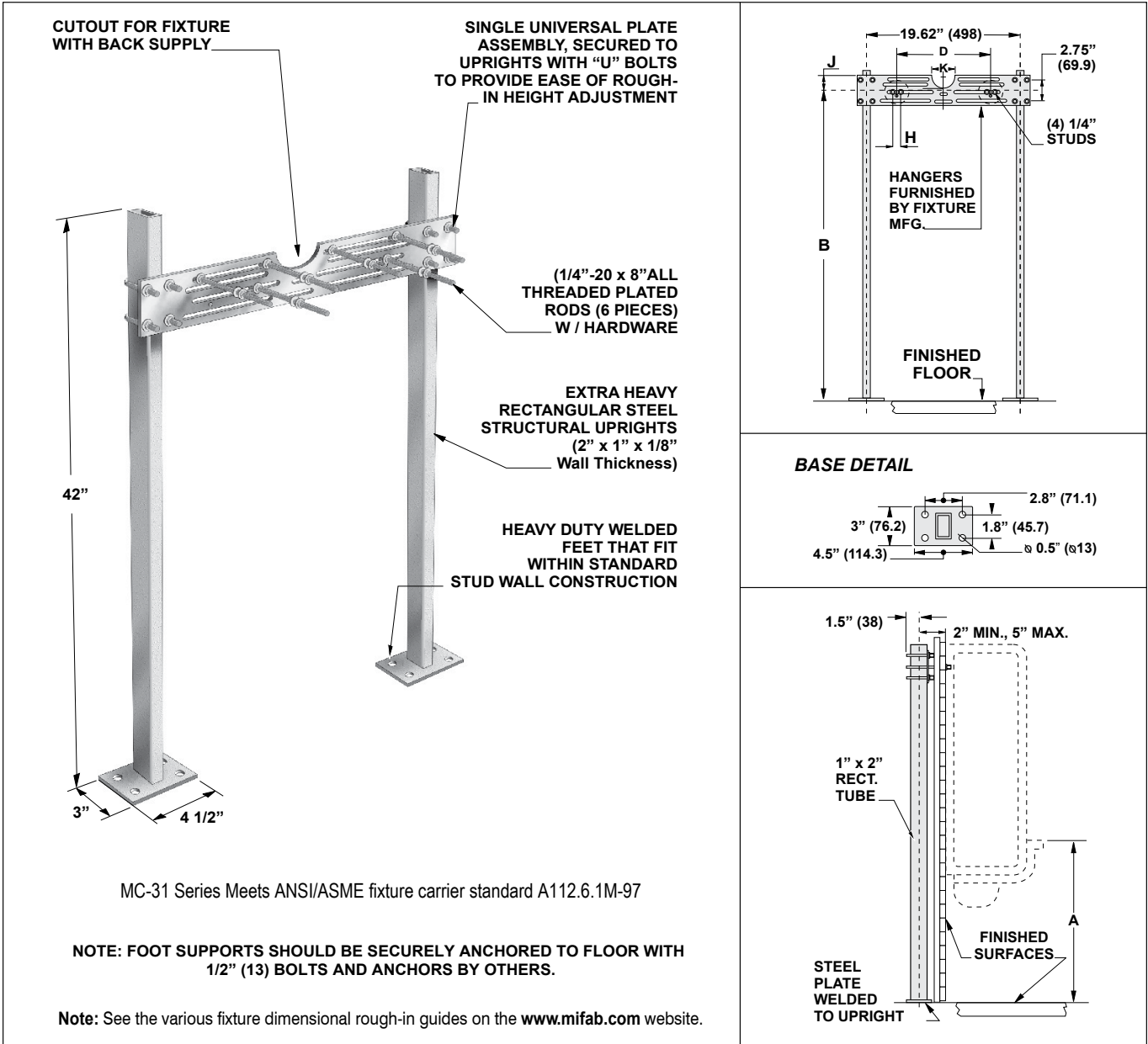


**MC-31**

**HANGER PLATE CARRIER WITH BEARING PLATE AND TWO UPRIGHTS**

**Specification:** MIFAB® Series MC-31 single lavatory hanger plate carrier with universal, adjustable, top support plate. Complete with lacquered 2" x 1" x 1/8" thick structural steel uprights with 3" x 4 1/2" welded steel feet and mounting hardware.

**Function:** Used to support wall-hung fixtures such as urinals and water coolers that are independent of the wall. Designed for use in conjunction with the fixture hanger plate supplied by the fixture manufacturer.



SUFFIX	OPTIONAL VARIATIONS
-A	Stud length over 8" (specify)
-B	Floor to ceiling uprights
-BA	Buy American Act compliant product
-C	Two hanger plates (three uprights for corner mounted lavatory)

-HDH	Heavy duty hanger
-PA	Pennsylvania Steel Act compliant product
-PFAB	Prefabricated carrier
see MC-31D	Back to back system
-20	Flush valve support

CALIFORNIA PROPOSITION 65 WARNING. This product contains chemicals known to the State of California to cause cancer and birth defects or other reproductive harm.

Job Name: \_\_\_\_\_ Page No: \_\_\_\_\_

Section No: \_\_\_\_\_ Contractor: \_\_\_\_\_

Schedule No: \_\_\_\_\_ Purchase Order No: \_\_\_\_\_