

Location: \_\_\_\_\_



# MC-15-HS

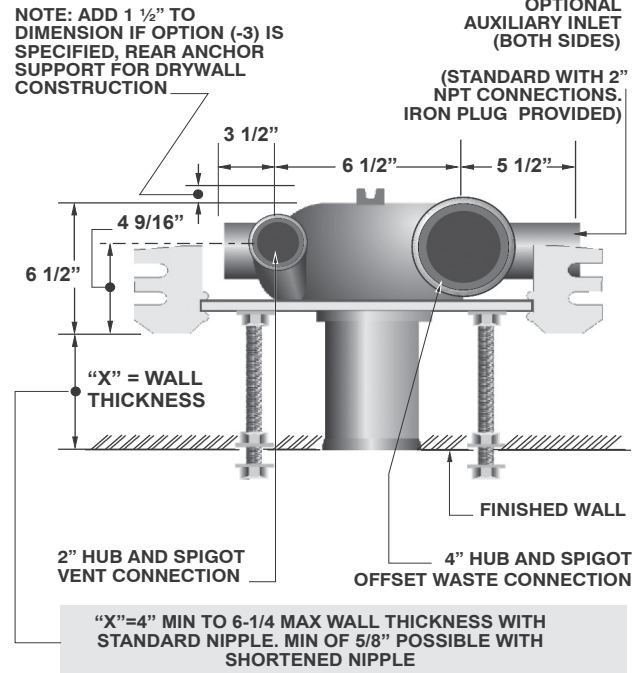
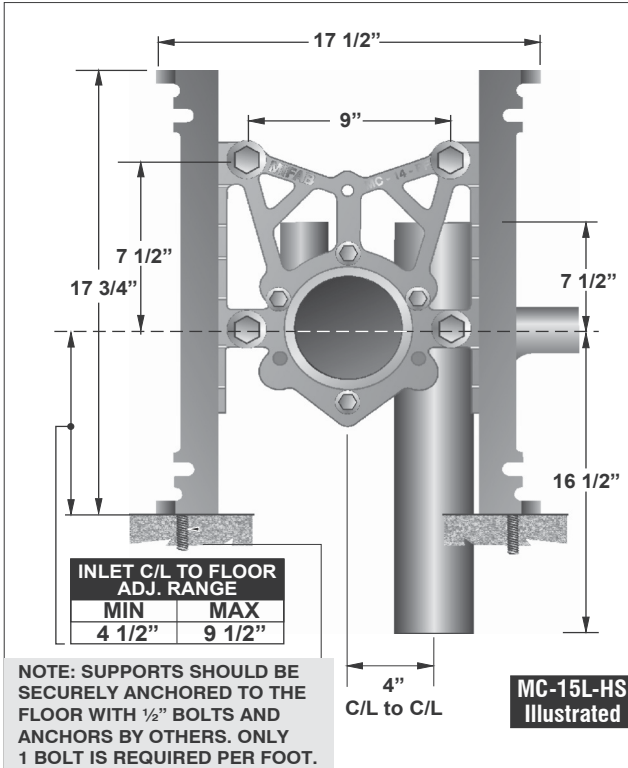
## FIXED VERTICAL HUB AND SPIGOT WATER CLOSET CARRIER OFFSET FROM STACK

**Specification:** MIFAB® Series MC-15-HS single, vertical, fixed, water closet carrier with offset lacquered cast iron fitting, 4" (102) waste, 2" (51) vent connection, lacquered cast iron faceplate, universal floor mounted cast iron foot supports, adjustable 8" tapered thread ABS nipple with integral test cap, neoprene bowl gasket, hardware, threaded rod protectors, polished chrome plated finishing cap nuts and rear anchor tie down support.

**Function:** Used with water closets that are offset from a common stack by 4" in multi-floor installations where minimum pipe space is required. Typical for off the floor plumbing fixtures that are wall mounted and have no contact with the finished floor. The closet carrier is completely concealed within the wall and supports the load of the fixture through a faceplate and foot support system that is anchored to the floor. Sanitation underneath the fixture is more efficiently and economically maintained when installed off of the floor compared to floor mounted.

**Note:** 8" (203) minimum space required between front of foot and rear of anchor support.

**Note:** Foot supports and faceplate are assembled at the factory before shipment in the typical siphon jet water closet configuration and are reversible for the blowout water closet design.



Note: Rear anchor support is included with every Left and Right carrier.

\*MC-15 is tested to support a 500 lb. load with the rear anchor support.

Note: 8" tapered thread ABS nipple shipped standard with MC-15 Series carriers. The universal faceplate assembly accepts all nipple variations, rolling thread (-OR), cast iron (-CI) and tapered thread ABS with adjustable horn (-AH).

MC-15-HS Series Meets ANSI/ASME fixture carrier standard A112.6.1M-97 500Lb. Load Rating

MODEL NO.	DESCRIPTION
MC-15L-HS	Single left hand offset
MC-15R-HS	Single right hand offset

SUFFIX	OPTIONAL VARIATIONS
-AH8	8" ABS nipple with adjustable horn
-AH12	12" ABS nipple with adjustable horn
-ASY	Prefabricated carriers
-BA	Buy American Act compliant product
-CI-4	4" rolling thread cast iron nipple
-CI-6	6" rolling thread cast iron nipple
-CI-8	8" rolling thread cast iron nipple
-CI-12	12" rolling thread cast iron nipple
-CI-24	24" rolling thread cast iron nipple
-FM	Floor mount, back outlet fixture support
-HD-750	750 lb. rated heavy duty
-HDX	1,000 lb. rated extra heavy duty
-OR8	8" rolling thread ABS nipple
-OR12	12" rolling thread ABS nipple

-PA	Pennsylvania Steel Act compliant product
-01	Neoprene bowl gasket
-1	Finishing / Tiling frame
-3	Rear anchor support (MC-10-3-PRSFK)
-10	Auxiliary support, recommended with nipple lengths over 12"
-12	12" tapered thread ABS nipple
-13	Galvanized cast iron
-14	Vandal proof finish trim
-17	Test plug for custom cast iron nipples
-19	Nipple wrench
-20	Flush valve support
-22	Less fitting
-25	2" Auxiliary inlet, right side
-26	2" Auxiliary inlet, left side
-31	Two 2" Auxiliary inlets

CALIFORNIA PROPOSITION 65 WARNING. This product contains chemicals known to the State of California to cause cancer and birth defects or other reproductive harm.

Job Name: \_\_\_\_\_  
 Section No: \_\_\_\_\_  
 Schedule No: \_\_\_\_\_

Page No: \_\_\_\_\_  
 Contractor: \_\_\_\_\_  
 Purchase Order No: \_\_\_\_\_